

Handrail Industry

Loxreen

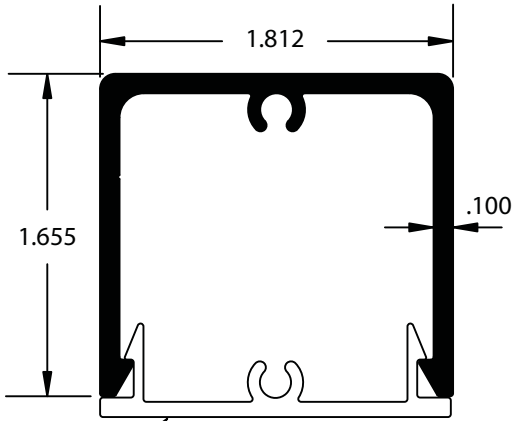
METALSOURCE®

THE *Lovreen* COMPANY, INC.

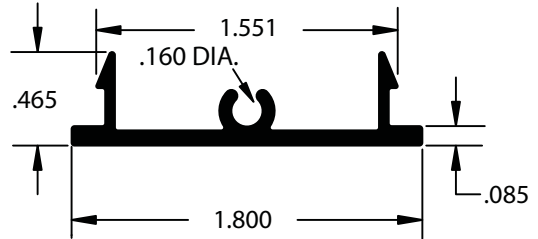
HAND RAIL INDEX

AA011455	_____	13
AA011456	_____	13
AA011457	_____	13
AA011526	_____	10
AA011527	_____	10
AA018816	_____	5
AA019111	_____	14
AA019277	_____	15
AA019908	_____	6
AA019909	_____	6
AA019910	_____	6
AA019982	_____	9
AA020293	_____	4
AA020294	_____	4
AA020295	_____	4
AA020645	_____	10
OA099020	_____	1
OA099021	_____	1
OA099022	_____	1
OA099023	_____	1
OA099024	_____	1
OA099025	_____	2
OA099026	_____	2
OA099027	_____	2
OA099028	_____	2
OA099029	_____	3
OA099030	_____	3
OA099031	_____	3
OA099032	_____	4
OA099033	_____	4
OA099035	_____	4
OA099038	_____	5
OA099039	_____	7
OA099040	_____	7
OA099041	_____	7
OA099042	_____	7
OA099043	_____	8
OA099044	_____	8
OA099045	_____	9
OA099046	_____	9
OA099047	_____	9
OA099048	_____	11
OA099049	_____	12

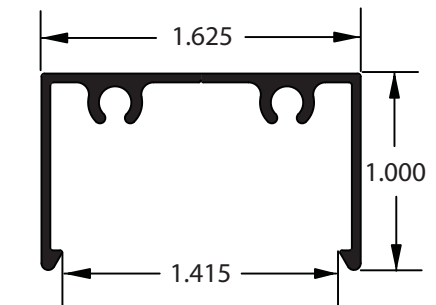
HAND RAIL
Mechanical System



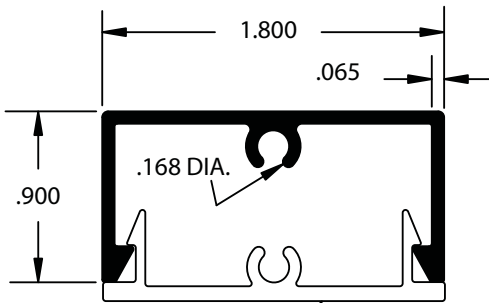
OA099022
mating part
OA099020 Post Channel



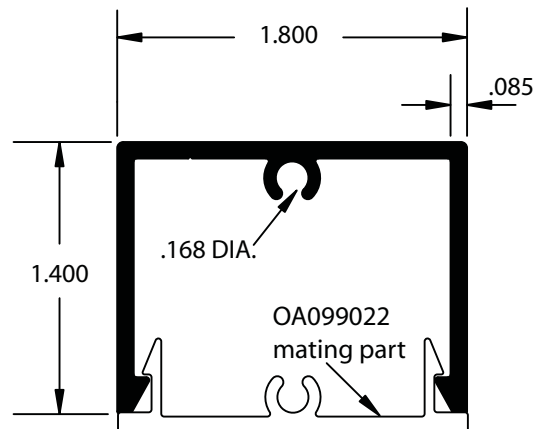
OA099022 Snap Plate



OA099023 Bottom Channel



OA099022
mating part
OA099021 Bottom Channel

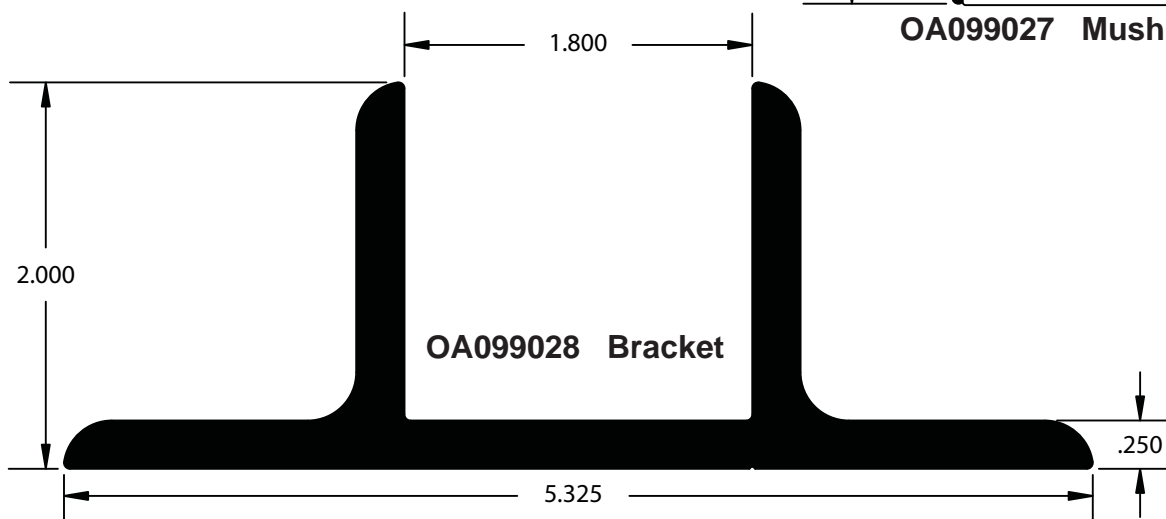
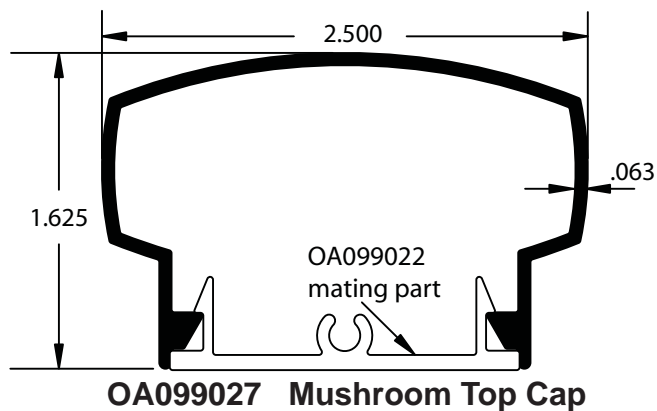
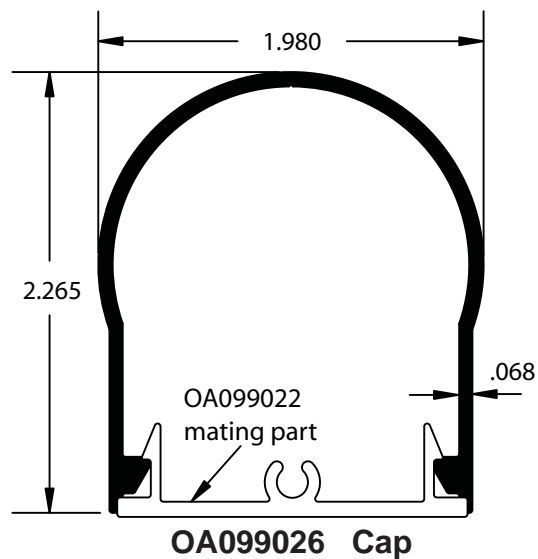
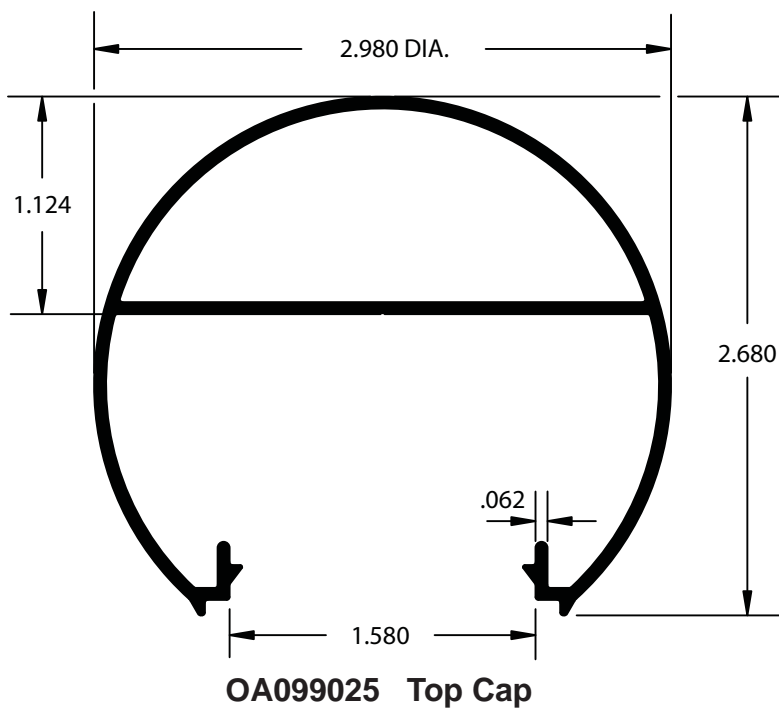


OA099024 Medium Bottom Channel

Available in AE, Paint, Kynar, Clear Anodize, Bronze Anodize and special colors.

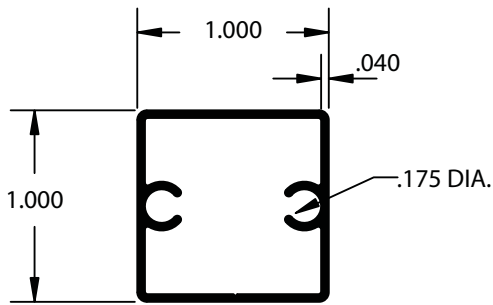
www.loxscreen.com
All shapes are shown in actual size.
21' length standard

HAND RAIL
Mechanical System

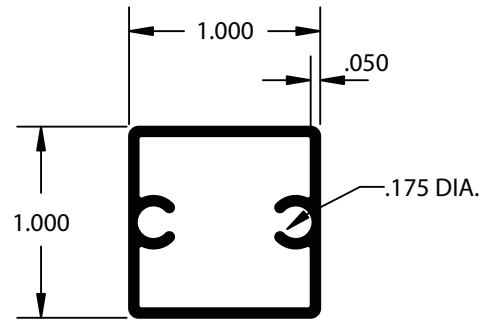


www.loxscreen.com
All shapes are shown in actual size.
21' length standard

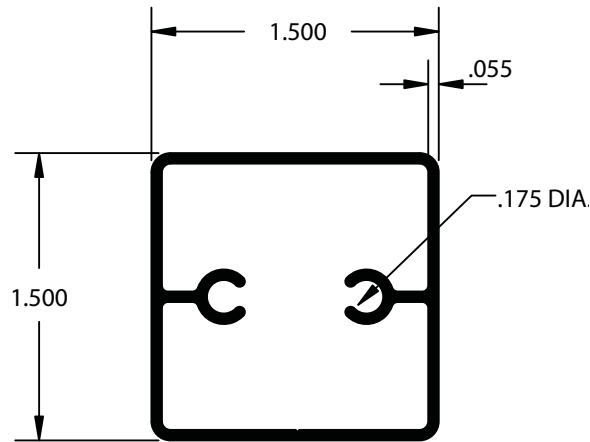
HAND RAIL
Mechanical System



OA099029 1" Square Picket w/Screw Bosses



OA099030 1" Square Picket w/Screw Bosses

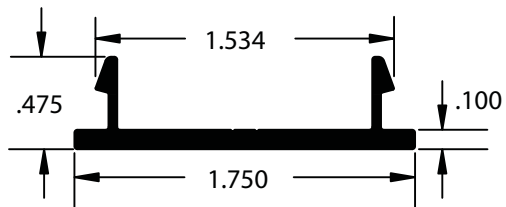


OA099031 1.5" Square Picket w/Screw Bosses

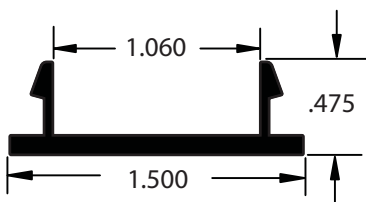
www.loxscreen.com
All shapes are shown in actual size.
21' length standard

HAND RAIL

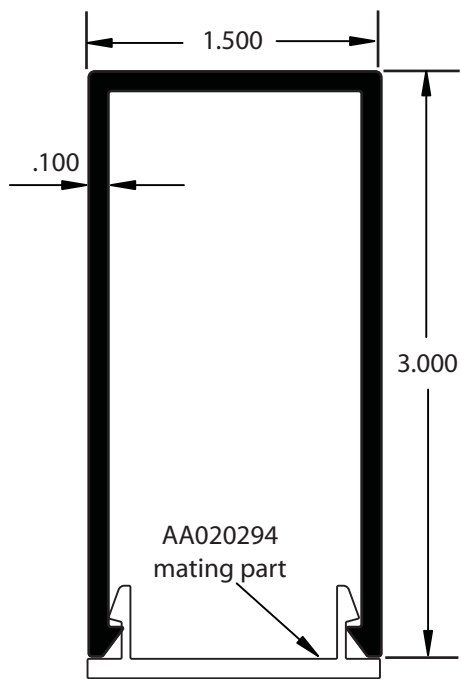
Welded / Mechanical System



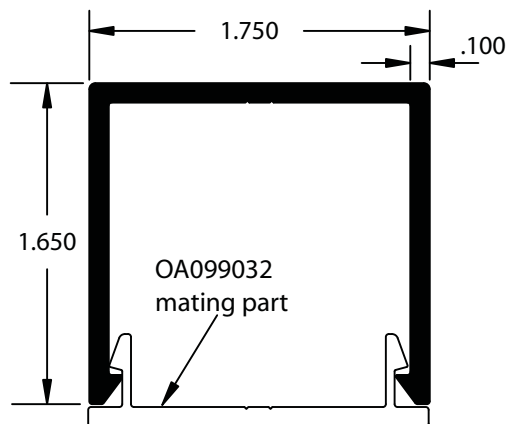
OA099032 Basic Snap Rail



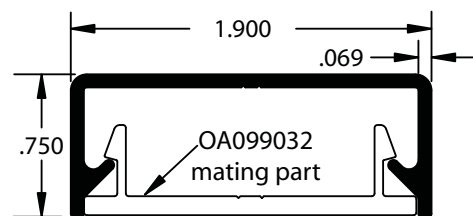
AA020294 Basic Snap Rail



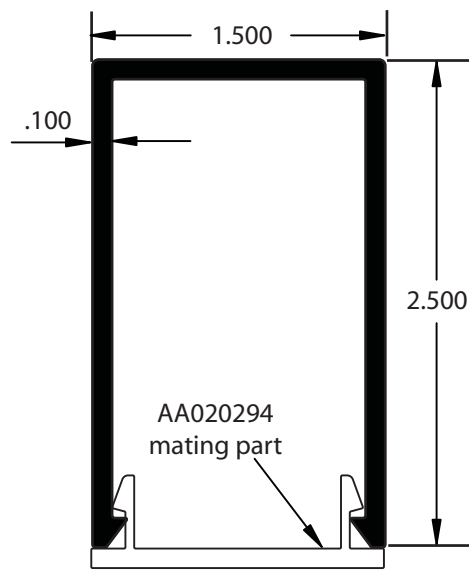
AA020293 Snap Cover



OA099033 Snap Cover



OA099035 Snap Rail Cover

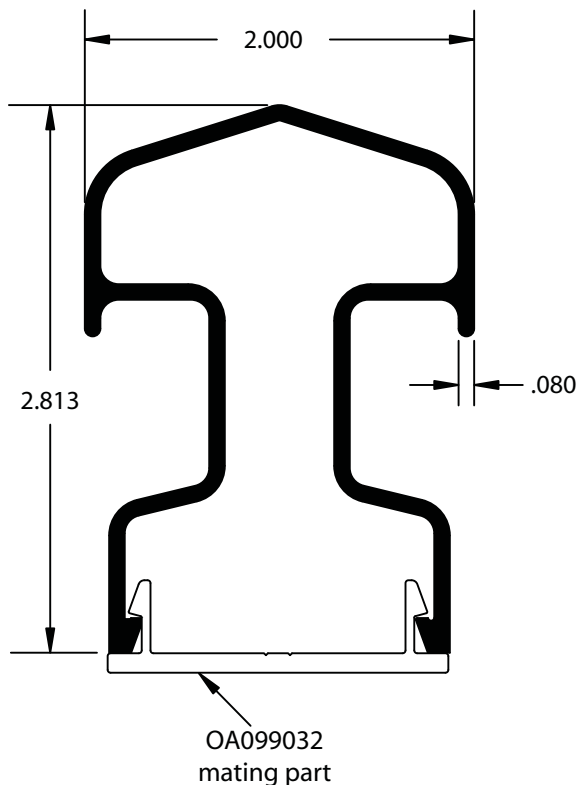


AA020295 Snap Cover

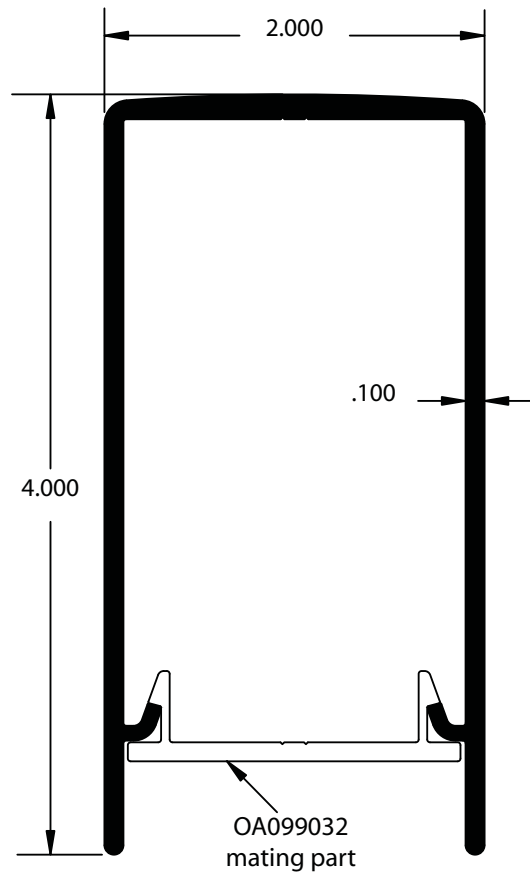
Available in Mill (AE) finish only.

www.loxscreen.com
All shapes are shown in actual size.
21' length standard

HAND RAIL
Welded / Mechanical System



AA018816 Top Rail

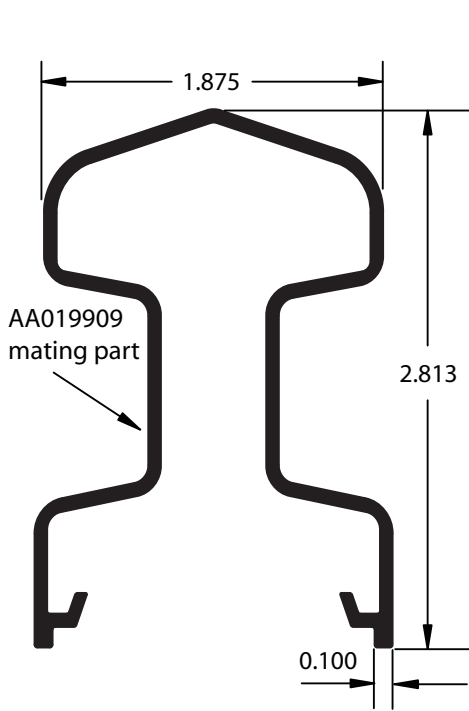


OA099038 Rail

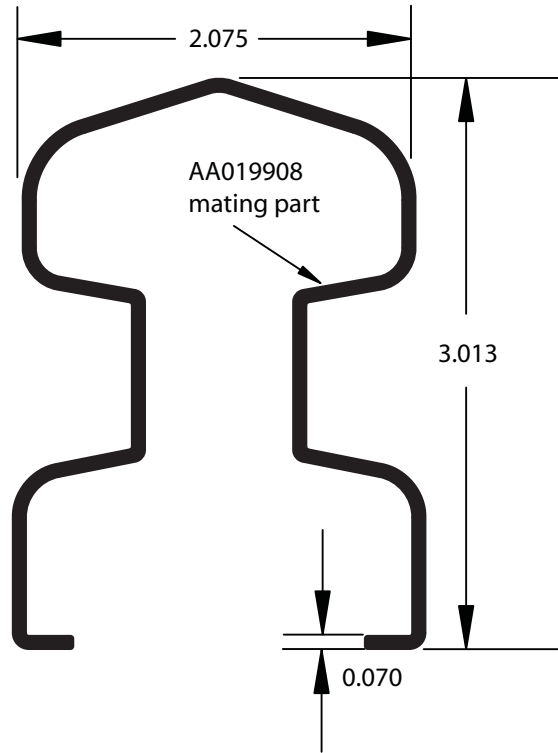
www.loxcreen.com
All shapes are shown in actual size.
21' length standard

HAND RAIL

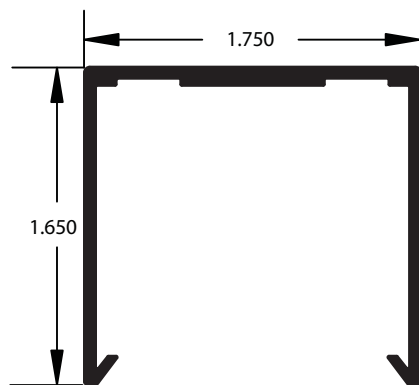
Welded / Mechanical System



AA019908 Graspable Grab Rail



AA019909 Sleeve Graspable Grab Rail

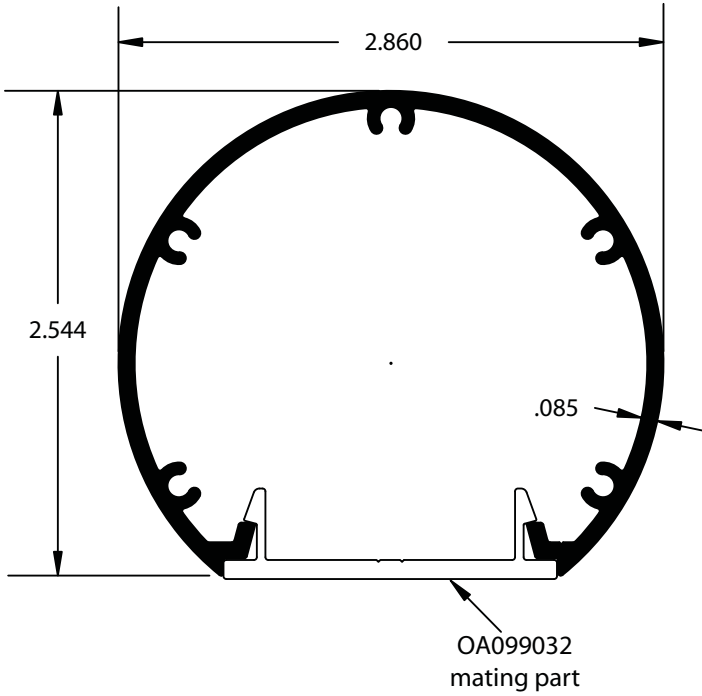


AA019910 Modified Snap Cover

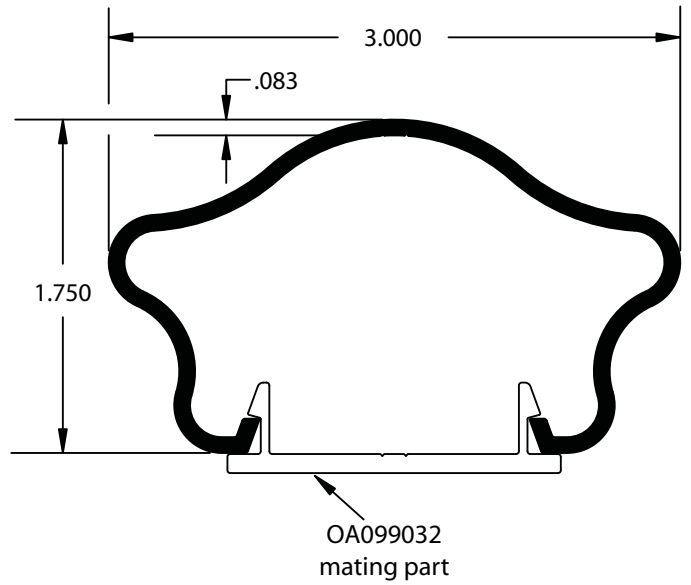
www.loxcreen.com
All shapes are shown in actual size.
21' length standard

HAND RAIL

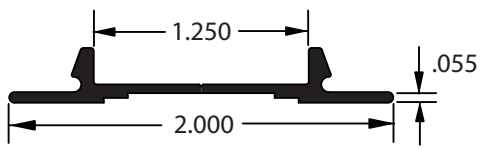
Welded / Mechanical System



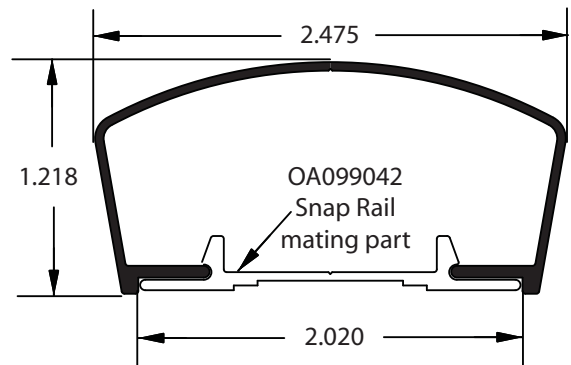
OA099039 Round Hand Rail



OA099040 Top Rail



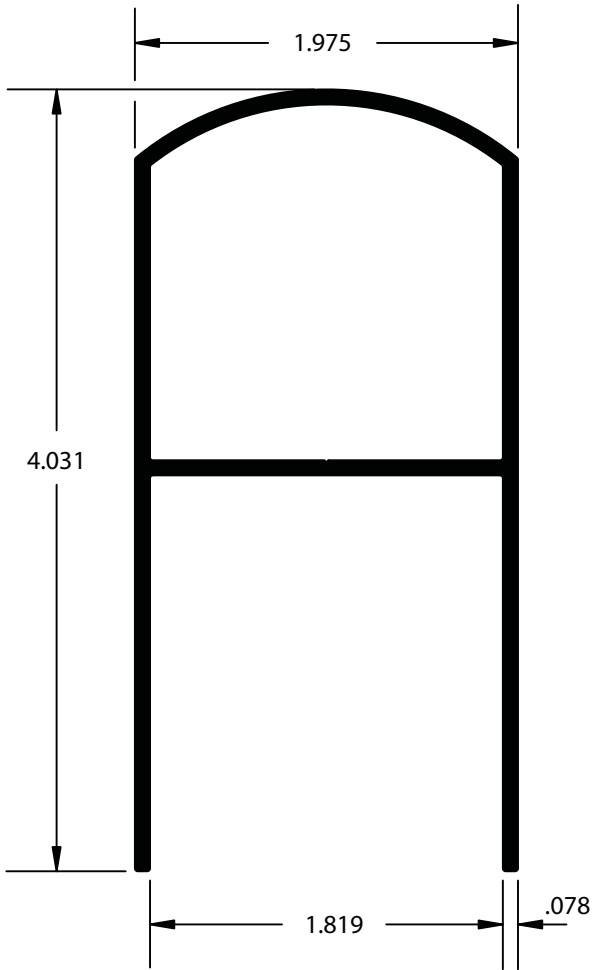
OA099042 Snap Rail



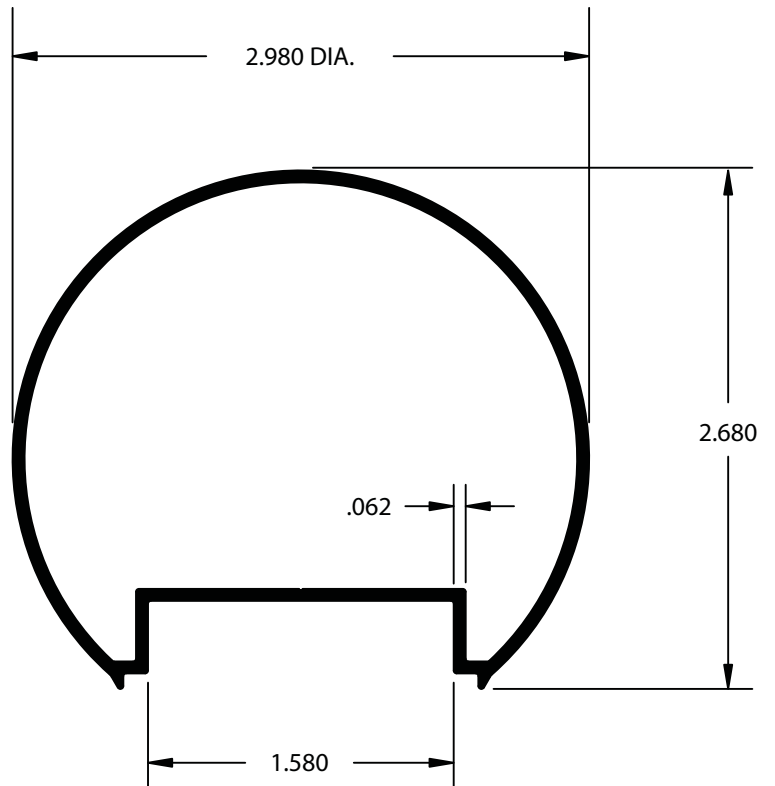
OA099041 Top Rail

www.loxreen.com
All shapes are shown in actual size.
21' length standard

HAND RAIL
Welded System



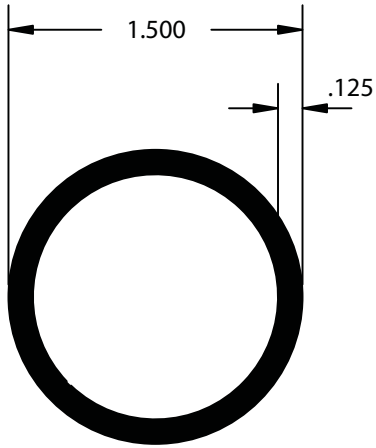
OA099043 Top Cap



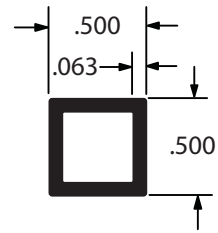
OA099044 Top Cap

www.loxcreen.com
All shapes are shown in actual size.
21' length standard

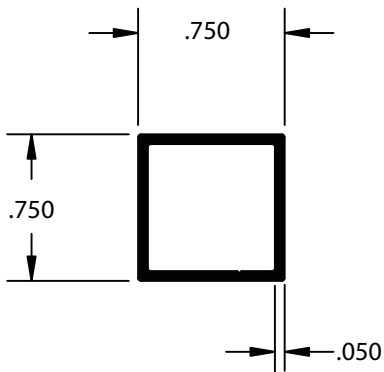
HAND RAIL
Welded System



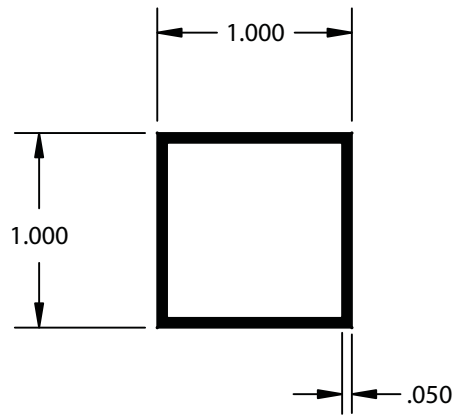
OA099045 Hand Rail



AA019982 Square Tube



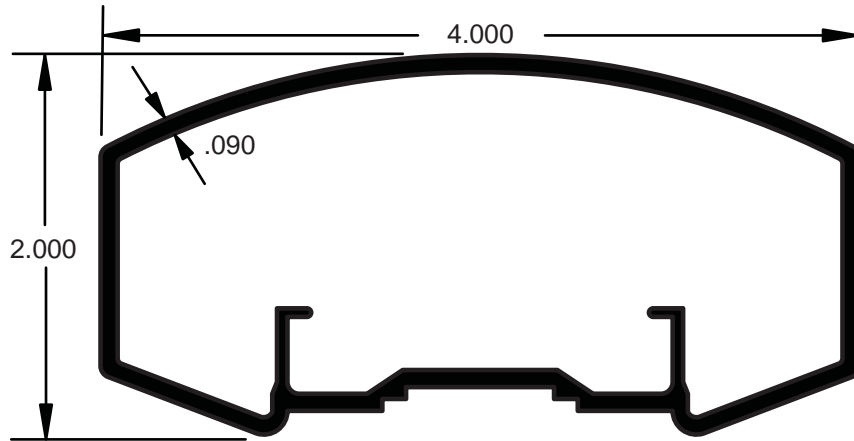
OA099046 Picket



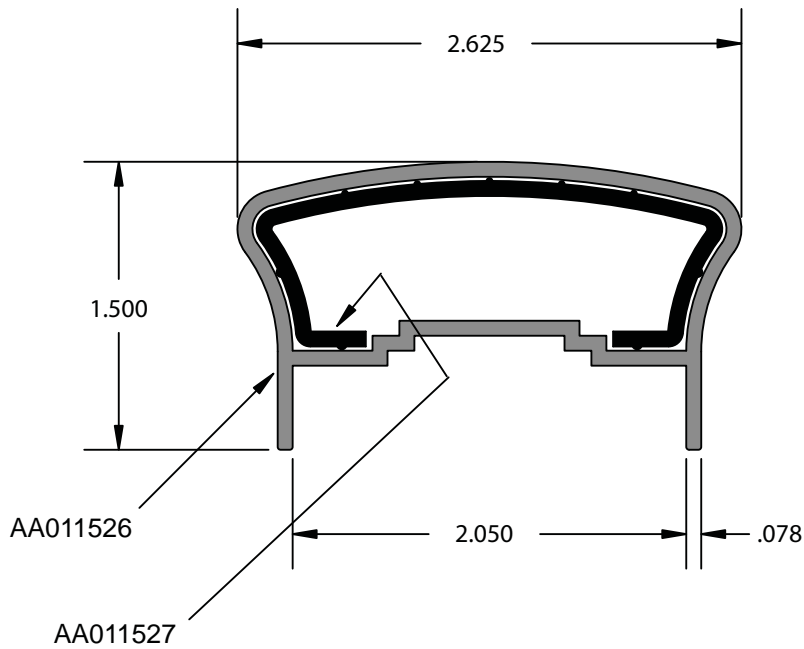
OA099047 Square Tube

www.loxcreen.com
All shapes are shown in actual size.
21' length standard

HAND RAIL
Welded System



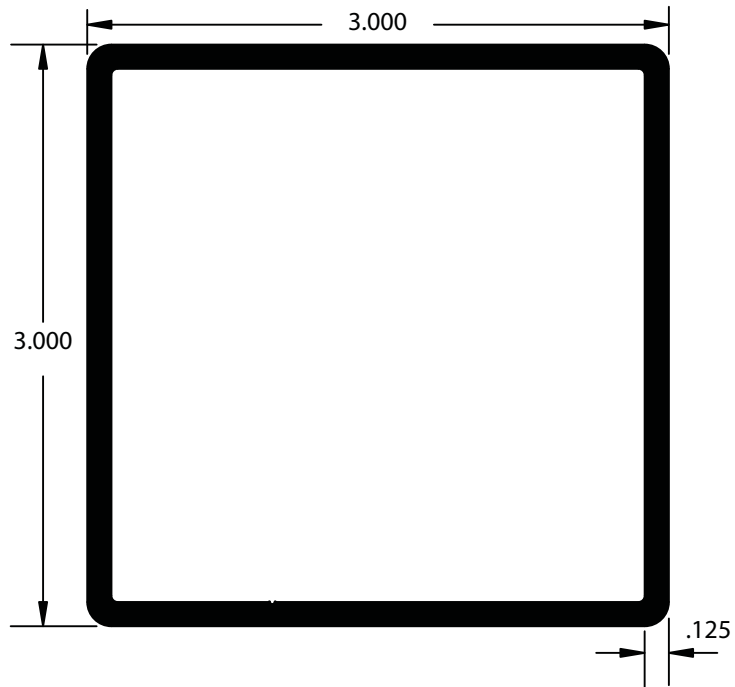
AA020645 Top Rail
Accepts 3/4" or 1" picket



Cap with Internal Splice
Accepts 1/2" and 3/4" pickets

www.loxcreen.com
All shapes are shown in actual size.
21' length standard

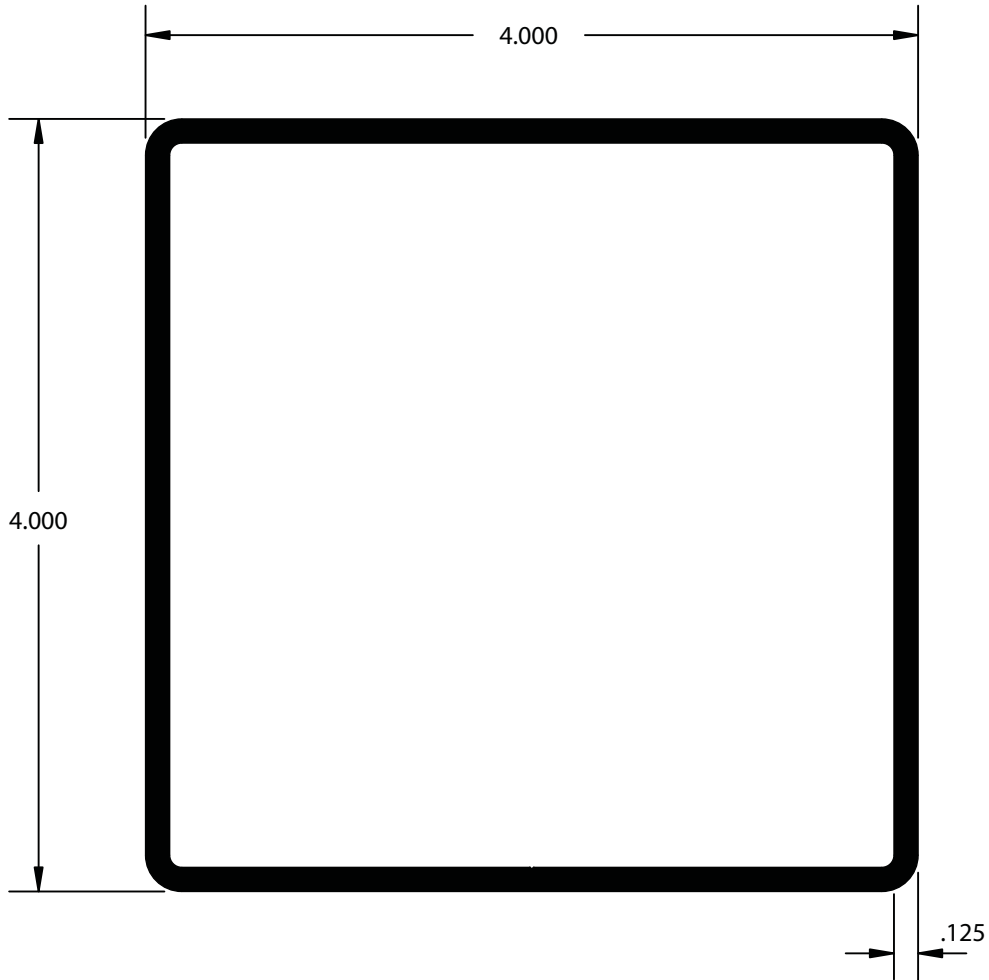
HAND RAIL
Welded System



OA099048 3" Tube with Radius Corners

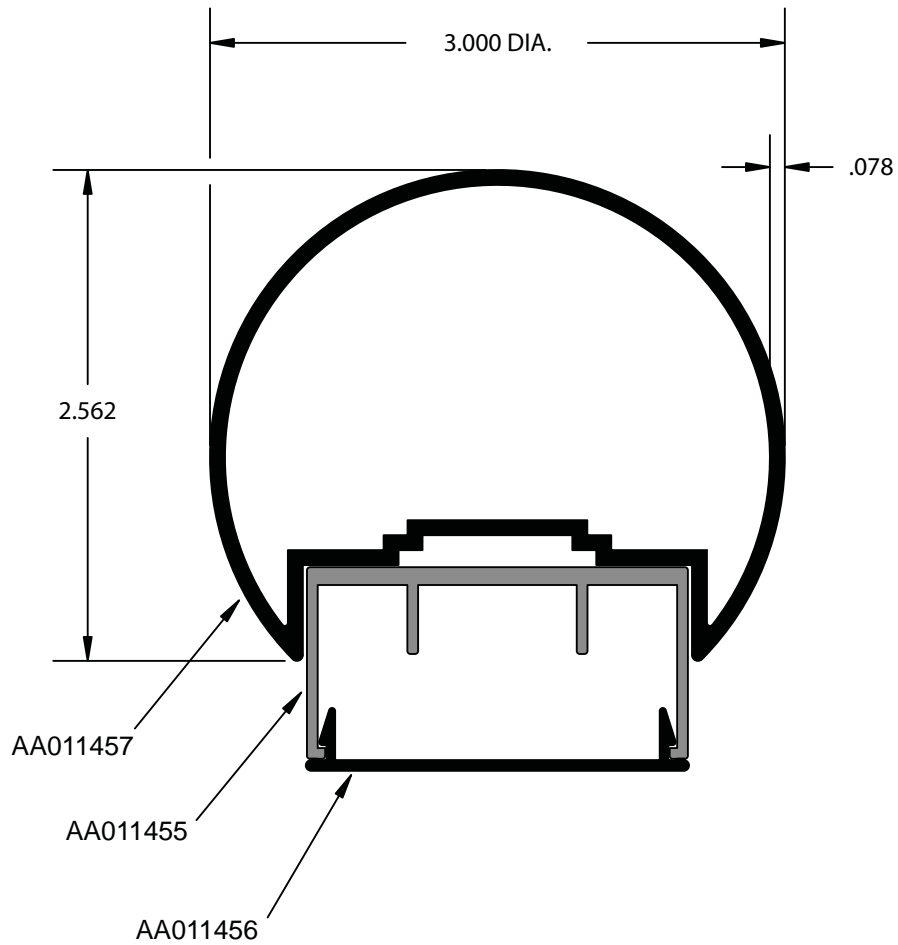
www.loxreen.com
All shapes are shown in actual size.
21' length standard

HAND RAIL
Miscellaneous



OA099049 4" Tube with Radius Corners

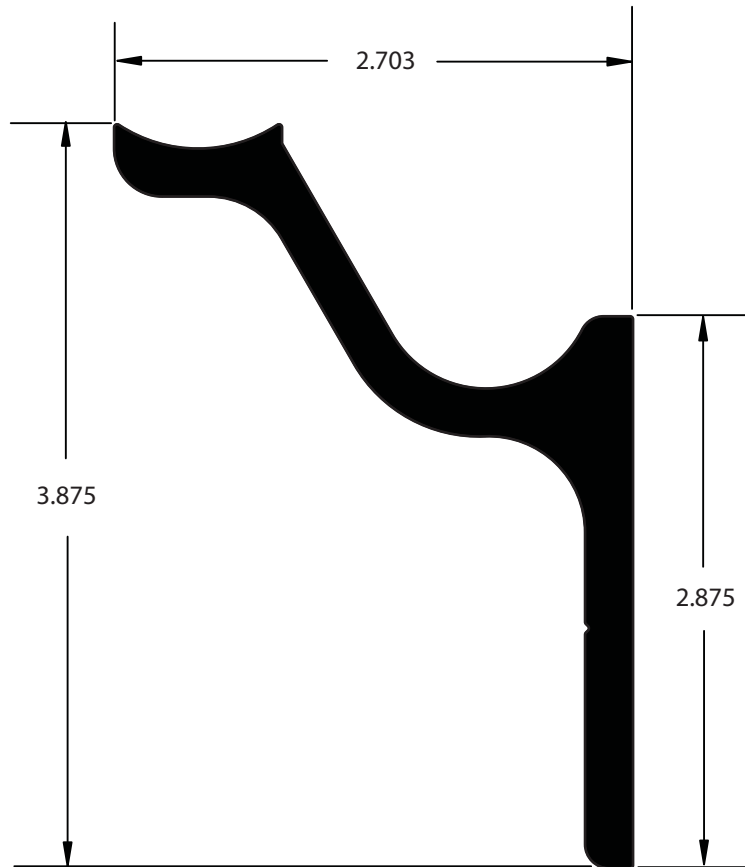
www.loxreen.com
All shapes are shown in actual size.
21' length standard



Cap with Bottom Channel and Snap Plate
Accepts 1/2" and 3/4" pickets

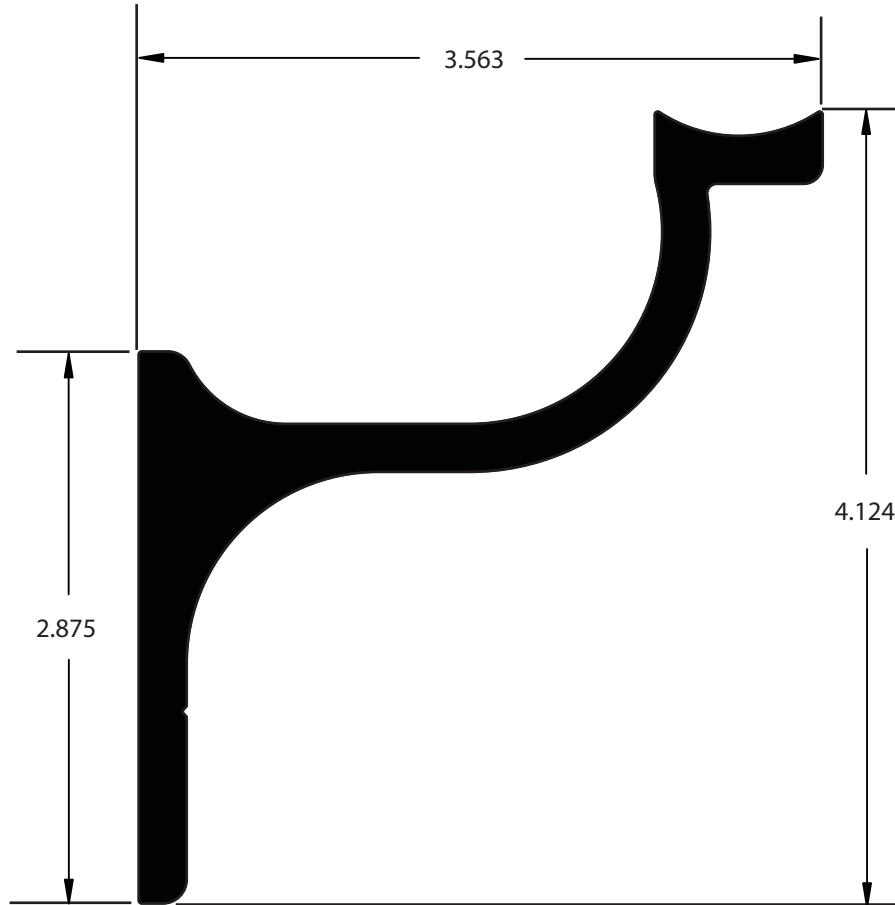
www.loxcreen.com
All shapes are shown in actual size.
21' length standard

HAND RAIL
Miscellaneous



AA019111 Rail Bracket

www.loxcreen.com
All shapes are shown in actual size.
21' length standard



AA019277 Handrail Bracket

www.loxcreen.com
All shapes are shown in actual size.
21' length standard

Terms & Conditions

1. CONTRACT BETWEEN BUYER AND SELLER: A written order and acknowledgment shall constitute the contract between Buyer and Seller, and said Contract may not be amended or rescinded except by written agreement by both parties, referring expressly to this contract.

2. WARRANTY: Seller warrants that merchandise sold to Buyer shall be free from defects in material and workmanship and shall conform to specifications. **EXCEPT FOR SUCH WARRANTY, THE SELLER DISCLAIMS ANY AND ALL OTHER WARRANTIES OF ANY KIND WHATSOEVER, INCLUDING WITHOUT LIMITATION, ANY WARRANTY OF MERCHANTABILITY OR FITNESS FOR PARTICULAR PURPOSE AND INCLUDING BUT NOT LIMITED TO ANY ORAL OR WRITTEN DESCRIPTION OF THE PRODUCTS, THEIR CHARACTERISTICS OR PROPERTIES OTHER THAN THAT SPECIFICALLY STATED IN THE FOREGOING LIMITED WARRANTY. SELLER SHALL HAVE NO LIABILITY FOR CONSEQUENTIAL OR INCIDENTAL DAMAGES AS A RESULT OF THE SALE OF ITS MERCHANDISE.** In the event that its merchandise is not as warranted, Buyer's sole remedy will be, at Seller's election, replacement of the merchandise or return of the purchase price. Prior written approval from the Seller must be secured before returning any merchandise for credit.

3. TOLERANCES: Standard Commercial tolerances apply unless otherwise specified.

4. PRICE: Prices are based on existing conditions and are subject to change, at our discretion, at any time prior to order shipment. Unless otherwise specified, all prices are based on quantity shipped per release, with Buyer accepting over-run or under-run on each individual item based on standard shipping tolerances. Exact control of quantity shipped must be specified as a requirement of said contract.

5. CREDIT: All shipments shall be subject to the approval of Seller's Credit Department. If, in the sole judgment of the Seller, the financial responsibility of the Buyer is unsatisfactory, or becomes impaired, or if Buyer fails to make any payment in accordance with the terms of the contract, then Seller may defer or decline to make any shipments except upon receipt of satisfactory security or cash payments in advance, or Seller may terminate the contract.

6. TAXES: All prices are subject to the net additions of all Federal, State, or Municipal taxes or charges which may be established or levied upon or assessed against the merchandise under contract.

7. SHIPMENTS: Unless otherwise specified, title to all merchandise, and the risk of loss, shall pass to the Buyer upon delivery by the Seller to the transportation carrier at the shipping point or the actual transfer of possession to the Buyer, whichever is earlier.

8. DELAYS: Seller cannot be held liable for loss or damage arising from delay in fulfilling or failure to fulfill any accepted order in accordance with its terms where such delay or failure is caused by shortage of materials, delays of carriers, embargoes, fires, floods, strikes, riots, wars, acts of God, or other causes beyond our control.

9. RETURNED MATERIAL AUTHORIZATION: Seller must be notified within 10 days after delivery of Buyer's request to return merchandise. Upon receipt of Seller's authorization, merchandise must be returned within 30 days in accordance with Seller's shipping instructions. Merchandise must be returned in exactly the same condition as in which it was received by Buyer. Handling and restocking fees will be charged to Buyer's account.

10. CANCELLATION: Said contract is subject to cancellation only upon Seller's acceptance of such cancellation in writing and the effective date of cancellation shall be the date of such acceptance. Payment of cancellation charges shall be made by Buyer upon receipt of statement of same. Cancellation charges shall not exceed the purchase price of the canceled portion of the contract.

11. EQUIPMENT: Any equipment (including jigs, process dies and tools, etc.) which Seller constructs or acquires specifically for use on Buyer's order shall be the sole property of Seller, whether or not they are charged to Buyer's account. Die charges are for exclusive use of extrusion tooling and are not subject to refund. Dies which indicate no activity for two years or more will be scrapped without notice and replacement cost will be for Buyer's account.

12. PATENT PROTECTION: Seller agrees to indemnify Buyer against any claims or liabilities for or by reason of alleged patent infringement arising from the manufacture or sale of any merchandise furnished Buyer hereunder, except where the specifications, process, design or method of manufacture originated with Buyer, in which event Buyer agrees to indemnify Seller in like manner.

THE *Loxcreen* COMPANY, INC.

Contact our Service Center near you for more information on LOXCREEN Products.

Corporate Office

1630 Old Dunbar Road / PO Box 4004 (29171) / West Columbia, South Carolina 29172
(803) 822-8200 / FAX (803) 822-8547
www.loxcreen.com

Loxcreen METALSOURCE®

TEXAS

400 N. Great SW Parkway / Arlington, Texas 76011 / Metro 640-4456
All other areas (817) 649-2771 / FAX (817) 649-1760 / 800-222-4629

MISSOURI

PO Box 528 / 800 South Pemiscot Street / Hayti, MO 63851 / (573) 359-2811 / FAX (573) 359-2814
800-323-8314

OHIO

100 Westheimer Drive / Middletown, Ohio 45044 / (513) 539-2255 / FAX (513) 539-2288
800-432-4672

SOUTH CAROLINA

PO Box 4004 / West Columbia, SC 29171-4004 / 1630 Old Dunbar Road / West Columbia, SC 29172
(803) 822-1600 / FAX (803) 822-8070 / 800-845-0840
Customer Service location
800-682-9586 / FAX (336) 597-8821

SOME ITEMS MAY NOT BE CARRIED IN STOCK.
PRICES ARE AVAILABLE UPON REQUEST.