

Lovreen
METALSOURCE®

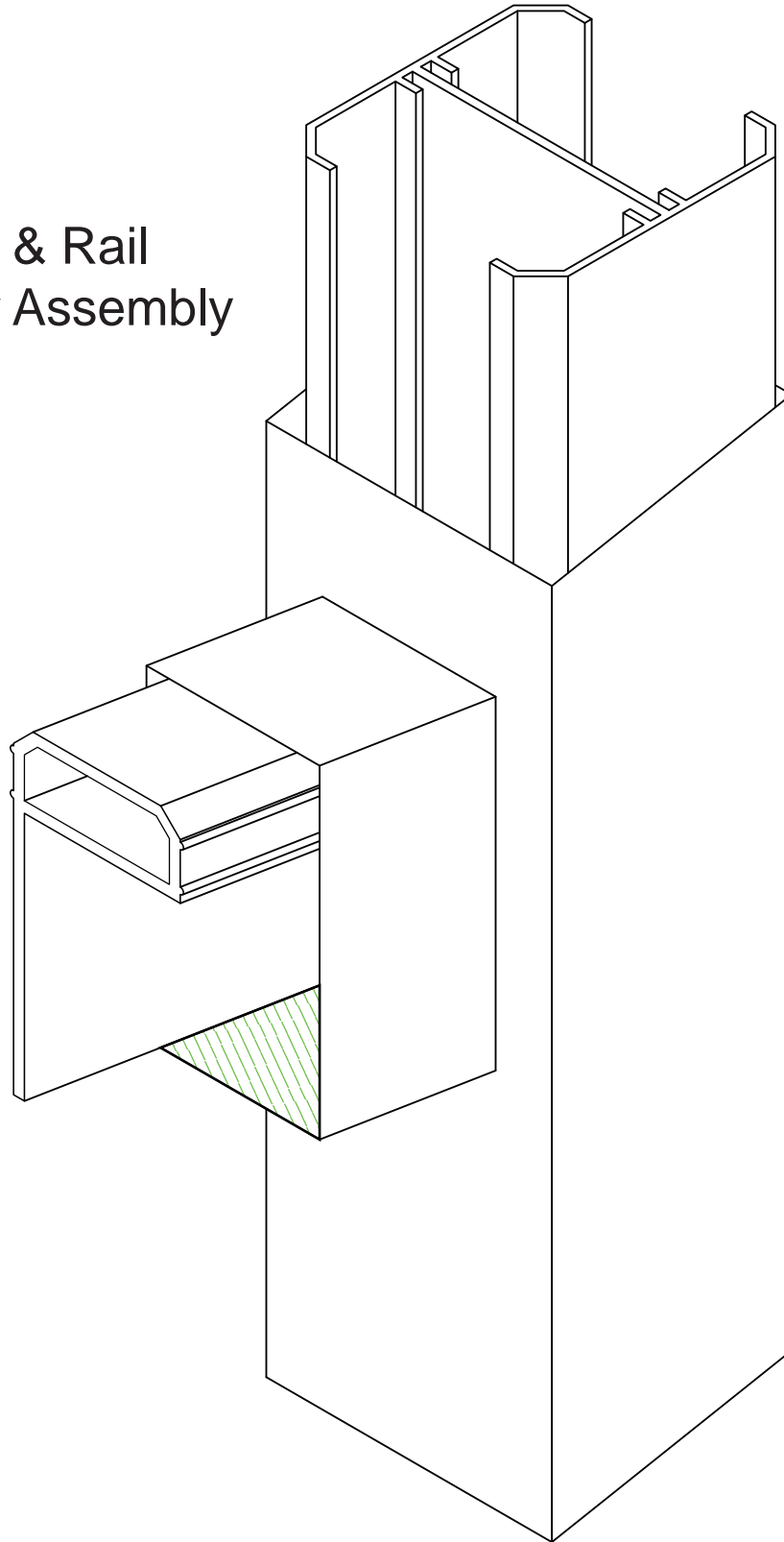


Profiles for the
Fence Industry

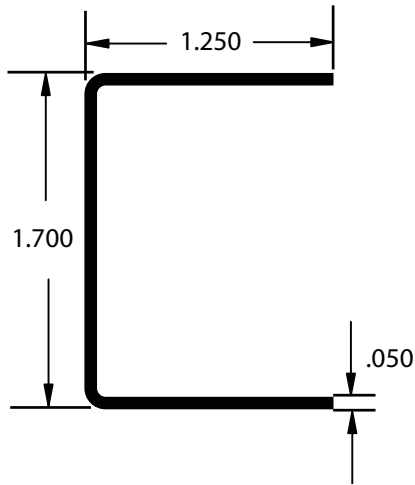
INDEX

<u>Catalog Item Number</u>	<u>Page</u>	<u>Catalog Item Number</u>	<u>Page</u>
AA000164	4	AA019539	3
AA000238	4	AA019595	8
AA007454	9	AA019596	9
AA008121	4	AA019695	5
AA008123	19	AA019697	17
AA008148	18	AA019854	17
AA008222	18	AA019855	17
AA008771	18	AA019859	8
AA009215	18	AA019864	17
AA011498	19	AA019865	20
AA016395	12	AA019975	21
AA018147	17	AA019976	20
AA018148	5	AA019978	19
AA018149	4	AA019979	19
AA018150	5	AA020064	17
AA018151	16	AA020065	17
AA018419	6	AA020076	20
AA018650	18	AA020078	18
AA018714	4	AA020151	16
AA018787	13	AA020152	8
AA018791	5	AA020153	6
AA018792	6	AA020379	17
AA018793	6	AA020530	16
AA018802	18	AA020531	4
AA018822	20	AA020618	10
AA019053	9	AA020619	15
AA019054	9	AA020688	18
AA019055	14	AA020693	3
AA019056	8	AA020753	5
AA019090	21	AA020972	6
AA019112	3	OA099050	7
AA019114	3	OA099051	7
AA019260	11	OA099052	7
AA019452	6	OA099053	16
AA019486	16	Post & Rail Assembly	2

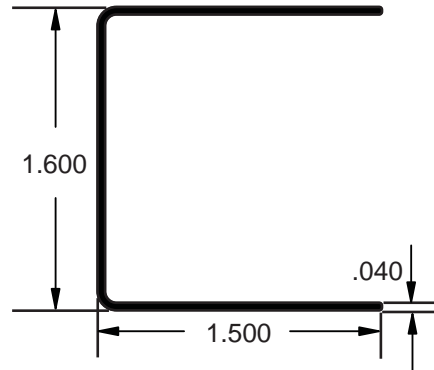
Post & Rail
Stiffener Assembly



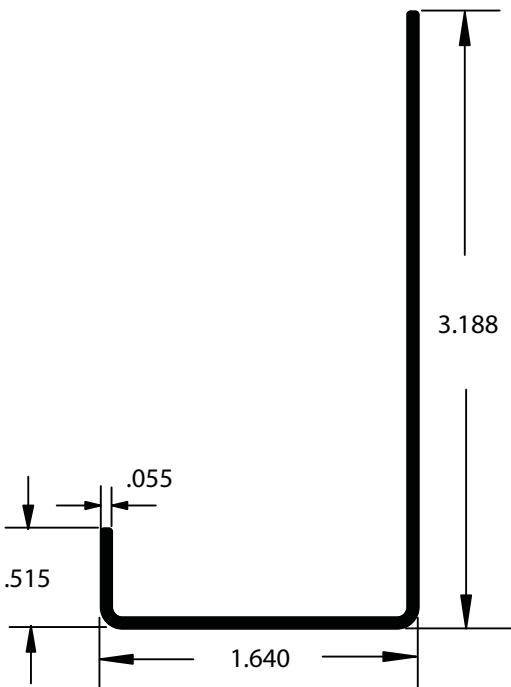
All shapes are shown in actual size.



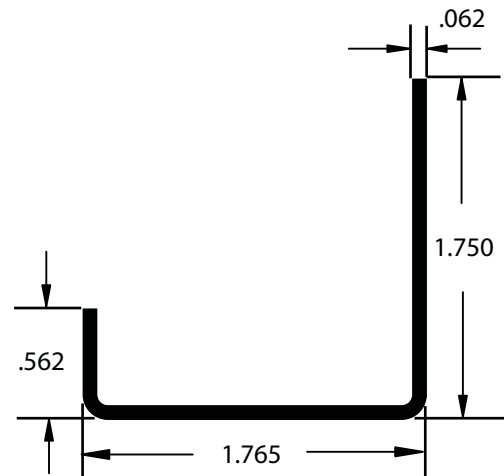
AA019114 Rail Support
w/ft. .242



AA020693 Rail Support
w/ft. .214



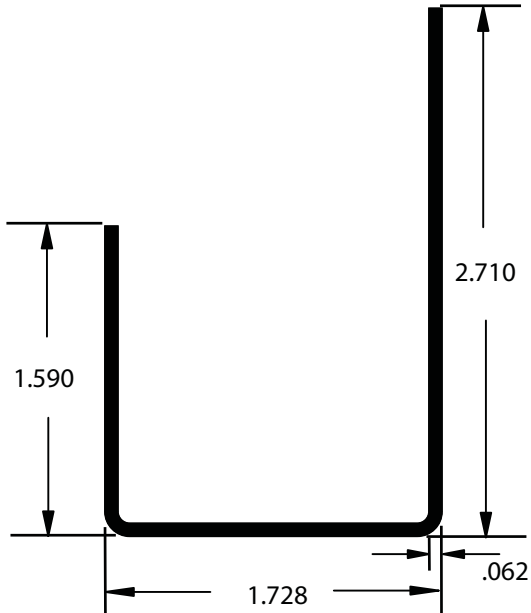
AA019112 J Channel Support
w/ft. .341



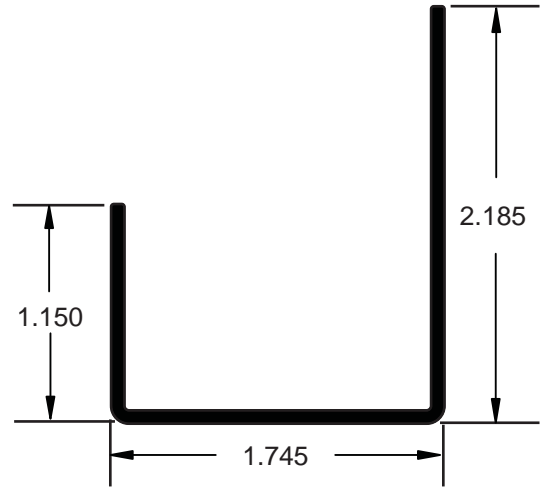
AA019539 J Channel Support
w/ft. .288

All shapes are shown in actual size.

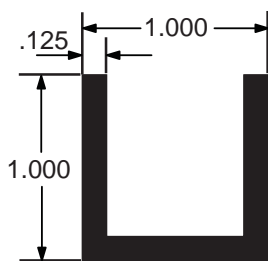
Standard length is 24' — other lengths may be available. AE Finish.



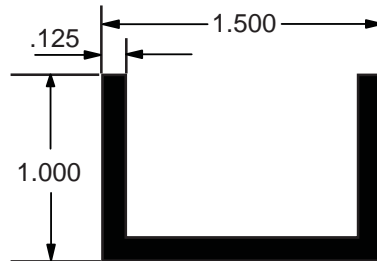
AA018149 J Channel Support
w/ft. .433



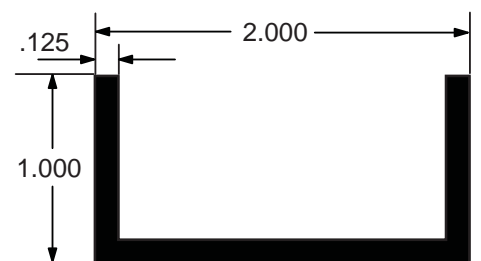
AA020531 J Channel Support
w/ft. .410



AA000238 U Channel Support
w/ft. .413



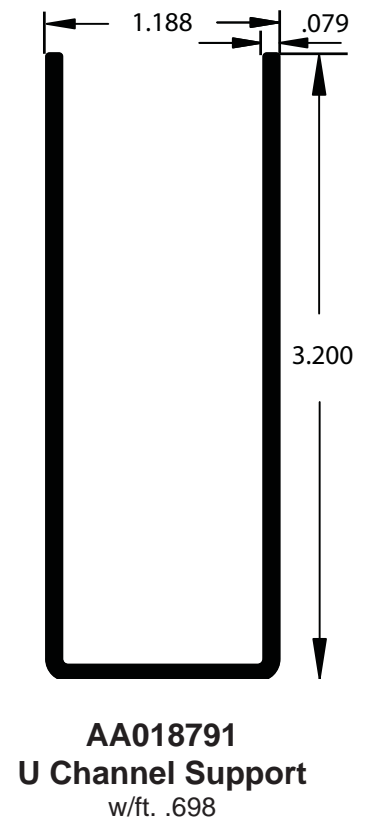
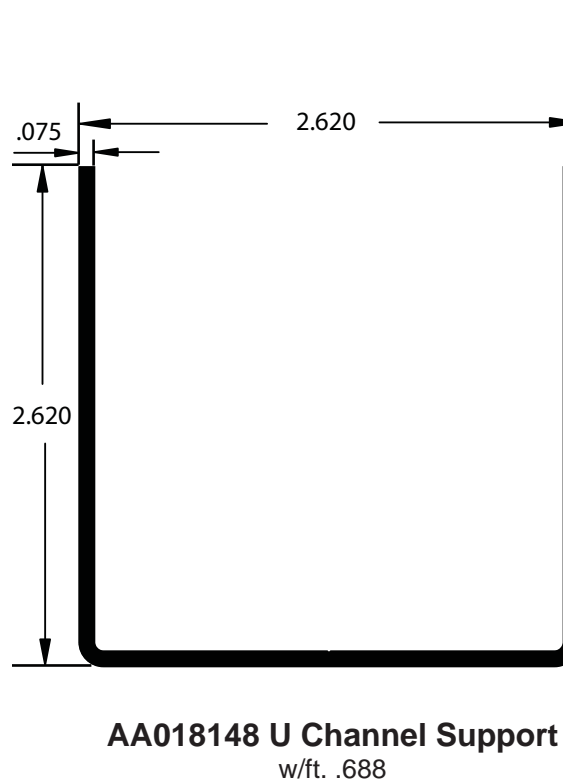
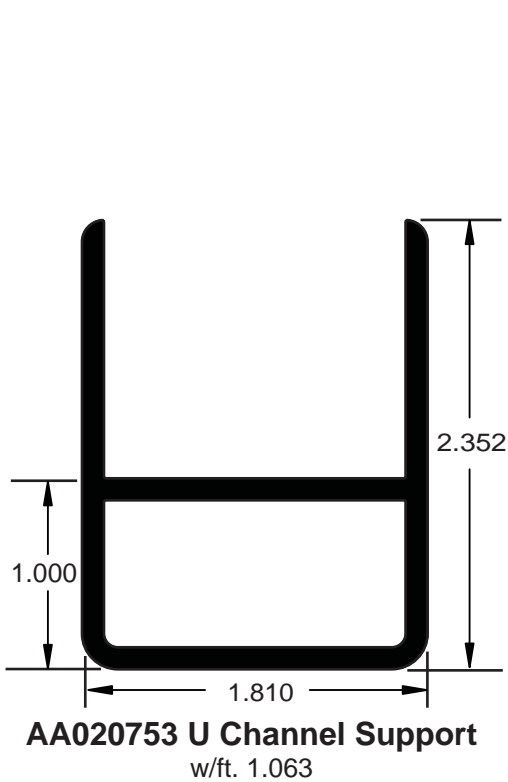
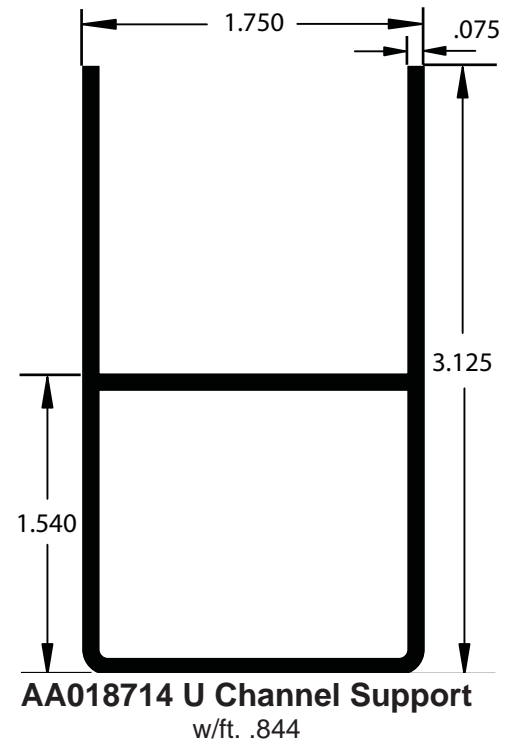
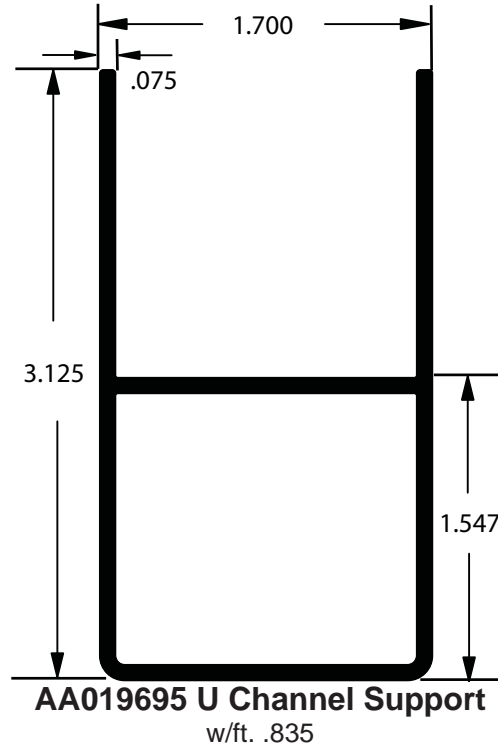
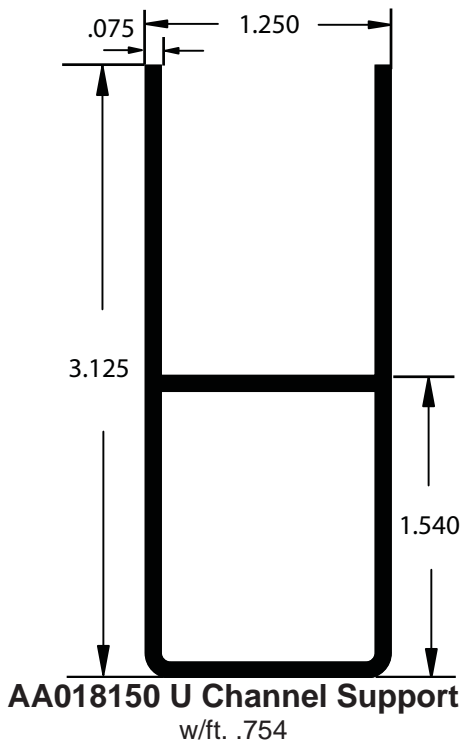
AA008121 U Channel Support
w/ft. .487



AA000164 U Channel Support
w/ft. .563

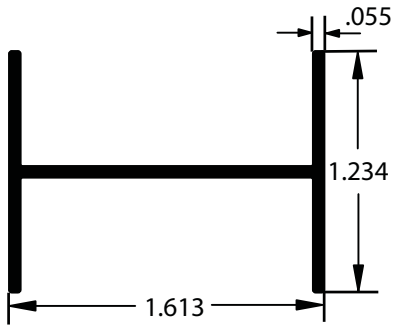
All shapes are shown in actual size.

Fence System

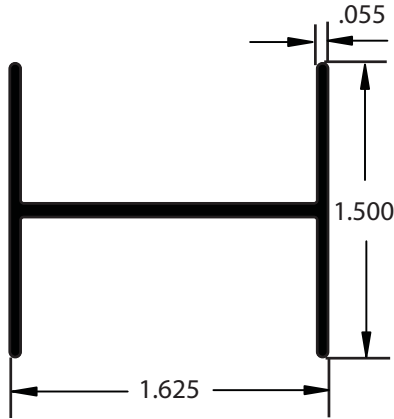


All shapes are shown in actual size.

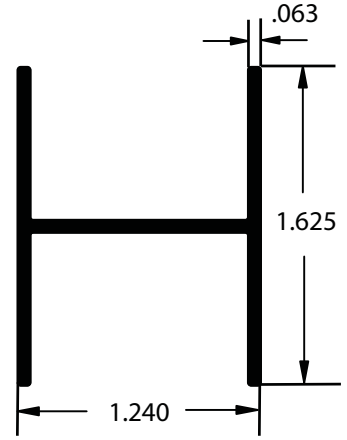
Standard length is 24' — other lengths may be available. AE Finish.



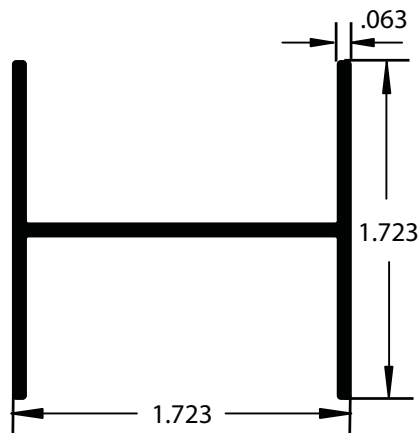
AA019452 H Stiffener
w/ft. .262



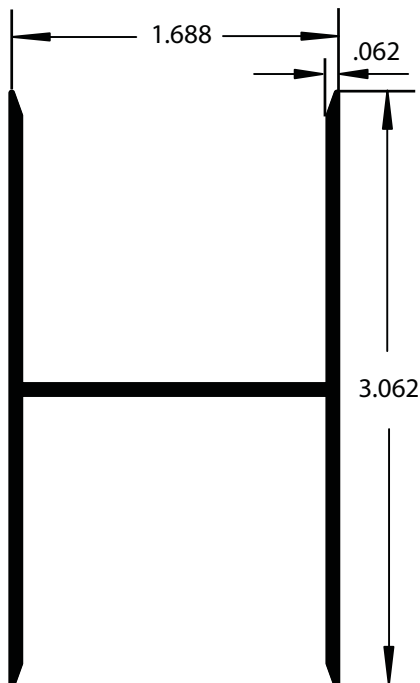
AA020153 H Stiffener
w/ft. .324



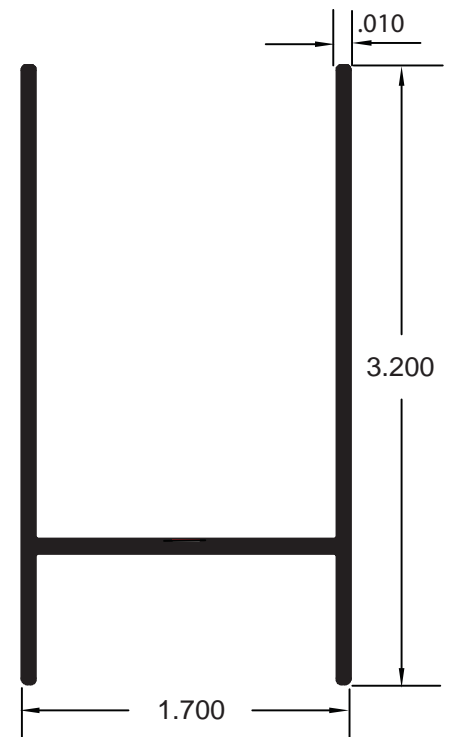
AA018793 H Stiffener
w/ft. .329



AA018792 H Stiffener
w/ft. .378

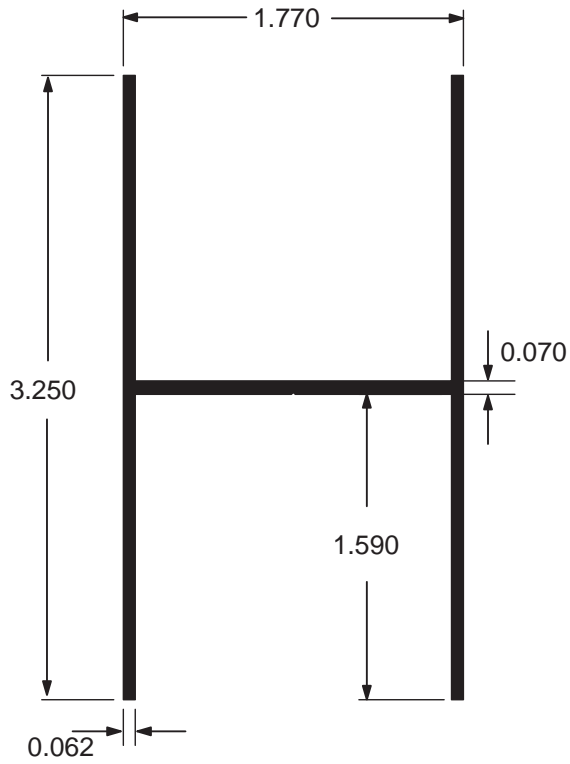


AA018419 H Stiffener
w/ft. .558

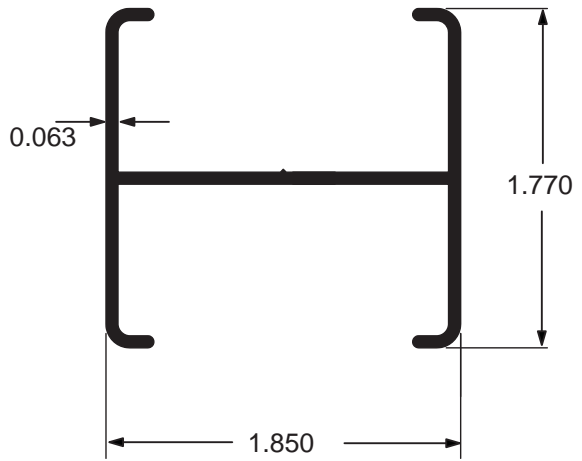


AA020972 H Stiffener
w/ft. .714

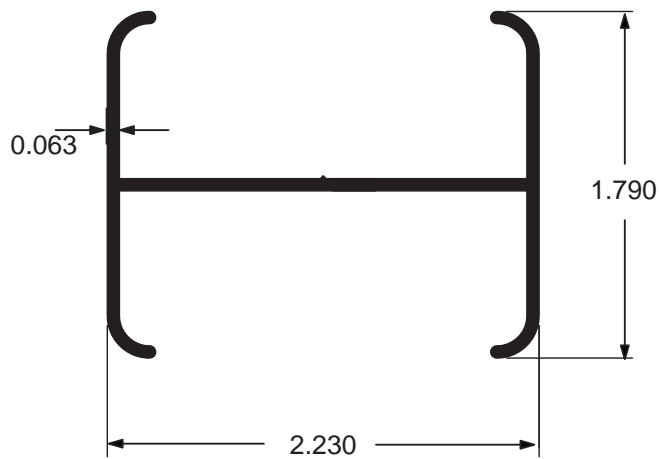
All shapes are shown in actual size.



0A099052 H Stiffener
w/ft. .622



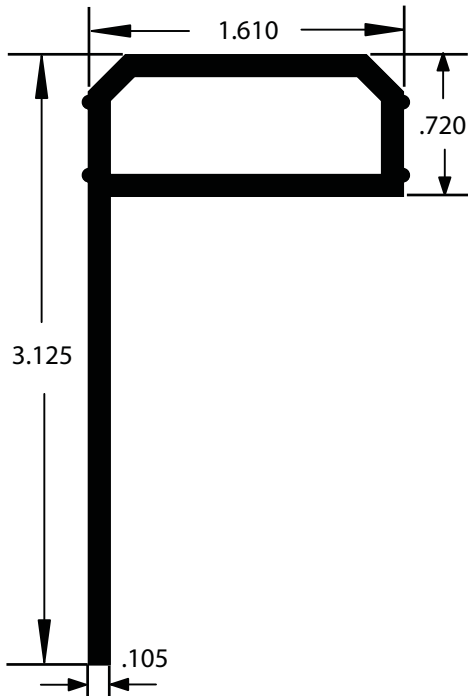
0A099050 H Stiffener
w/ft. .440



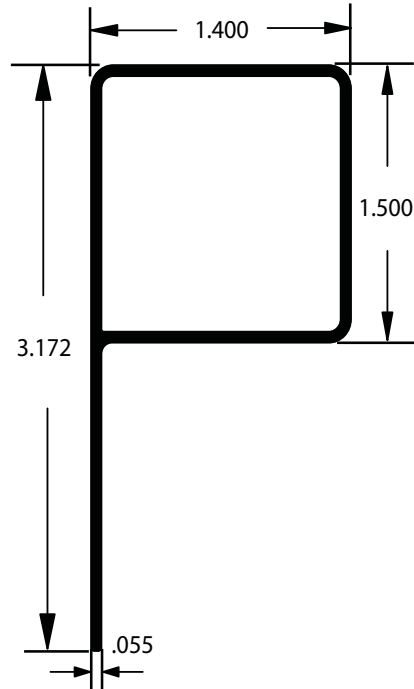
0A099051 H Stiffener
w/ft. .461

All shapes are shown in actual size.

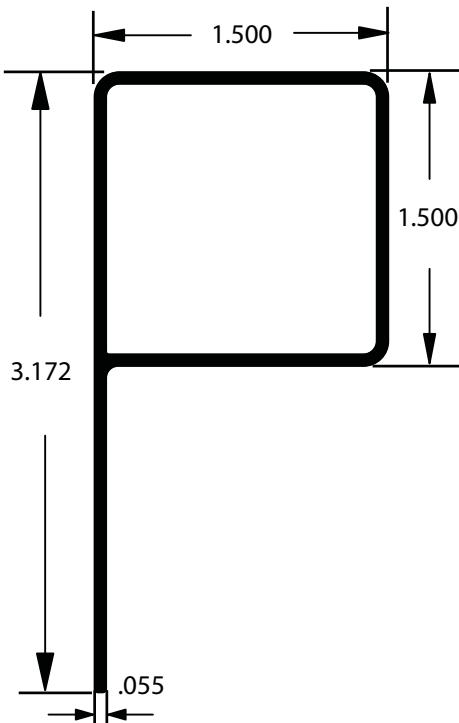
Standard length is 24' — other lengths may be available. AE Finish.



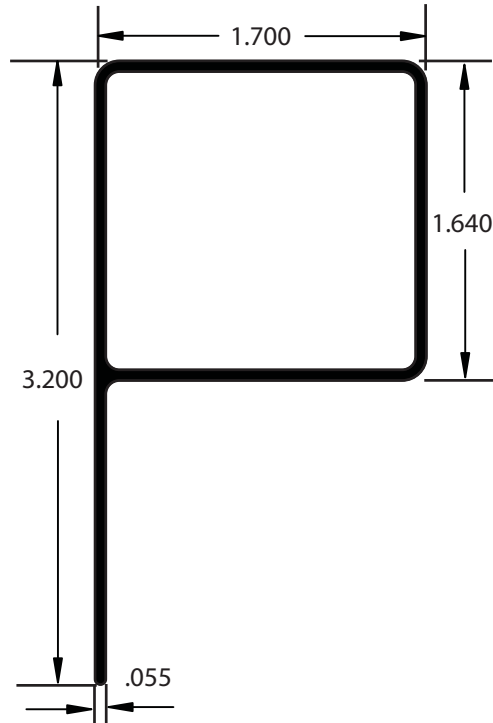
AA019056 P Stiffener
w/ft. .821



AA019859 P Stiffener
w/ft. .472

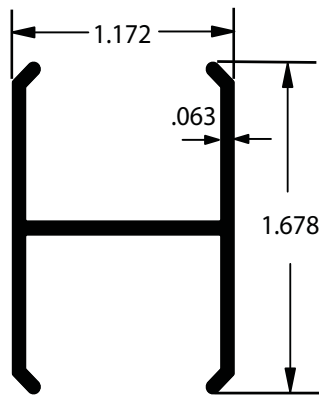


AA019595 P Stiffener
w/ft. .485

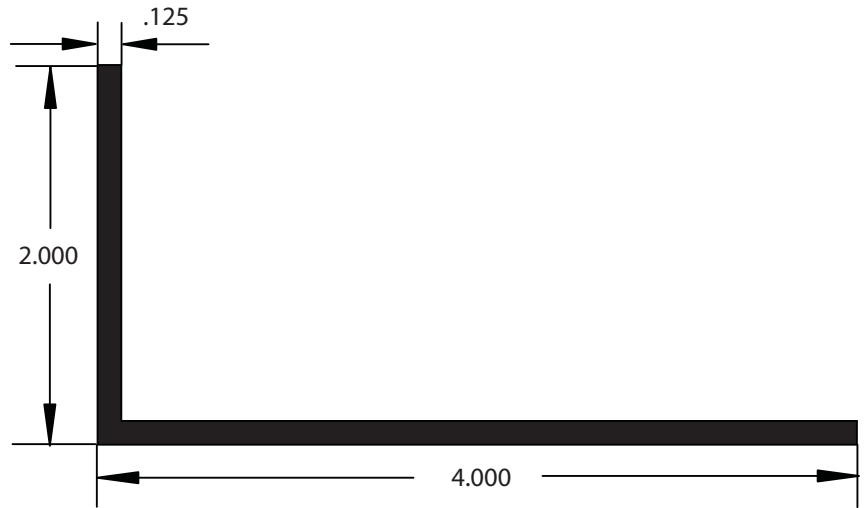


AA020152 P Stiffener
w/ft. .523

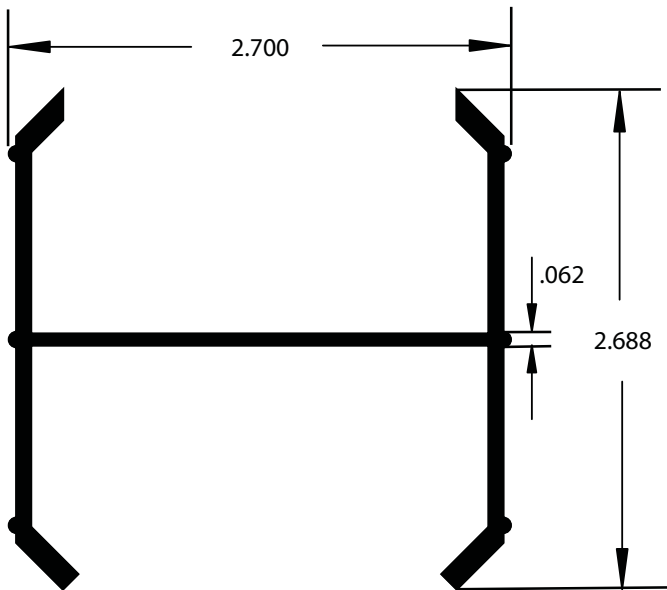
All shapes are shown in actual size.



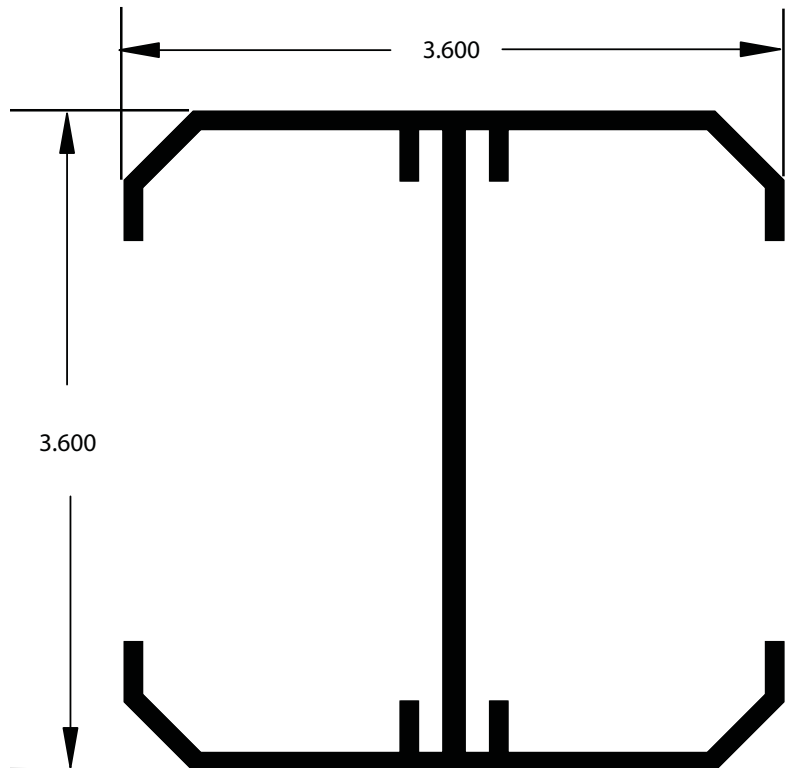
AA019596 HOA Stiffener
w/ft. .341



AA007454
2 x 4 x 1/8 Mounting Angle
(used with 4" & 5" post stiffeners)



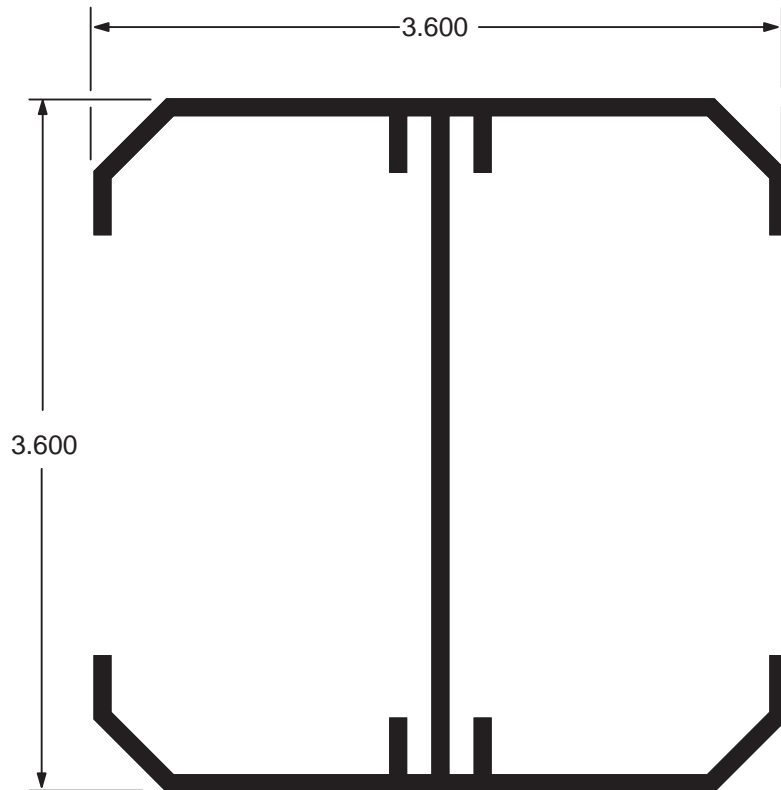
AA019053 3" Post Stiffener
w/ft. .775



AA019054 4" Post Stiffener
wall thickness .100
w/ft. 1.591

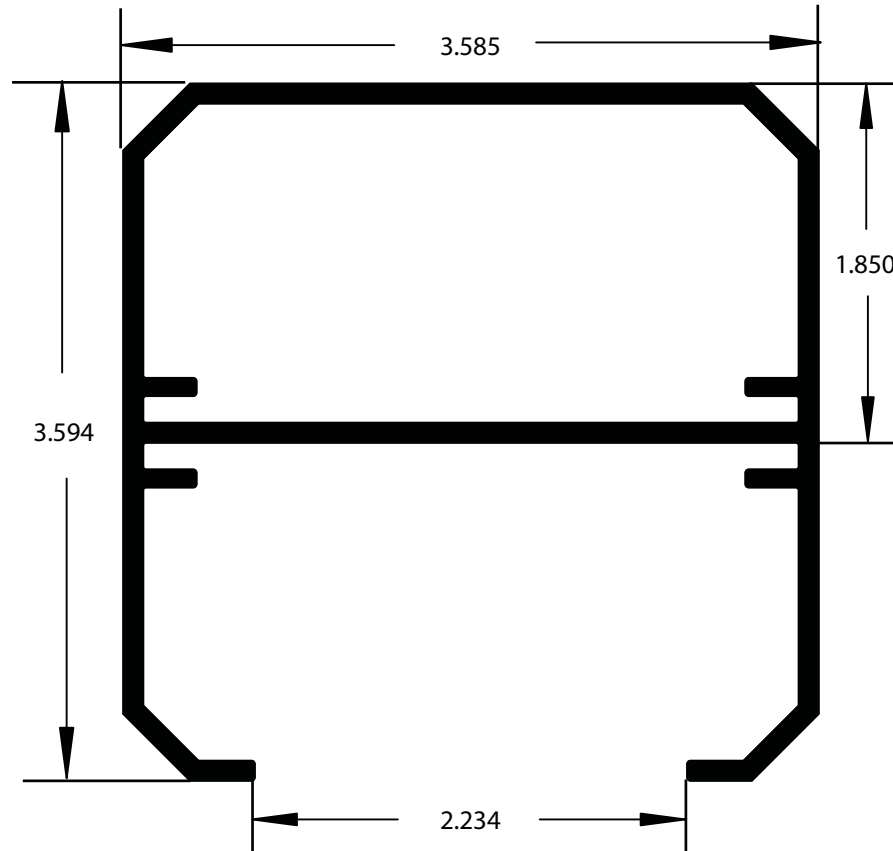
All shapes are shown in actual size.

Standard length is 24' — other lengths may be available. AE Finish.



AA020618 4" Post Stiffener - Light Weight
wall thickness .080
w/ft. 1.294

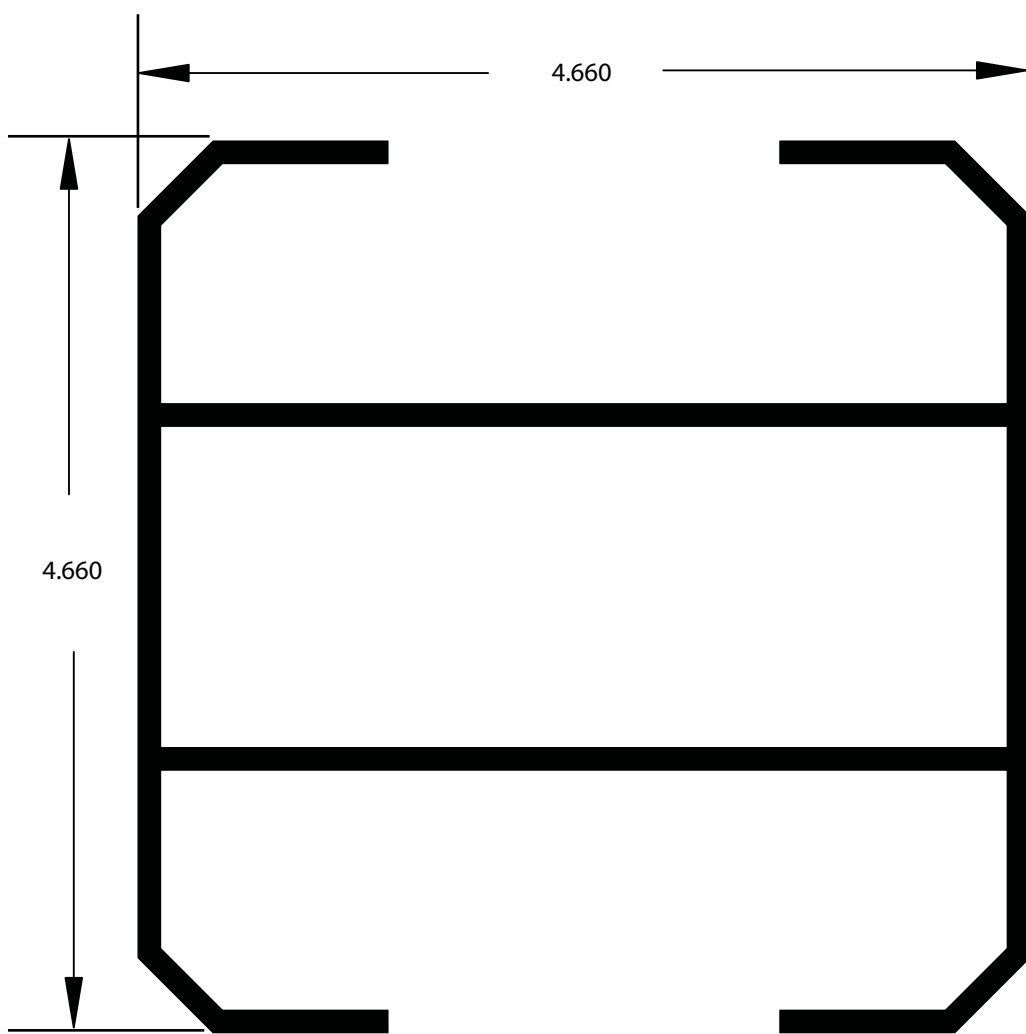
All shapes are shown in actual size.



AA019260 4" A Post Stiffener
wall thickness .100
w/ft. 1.843

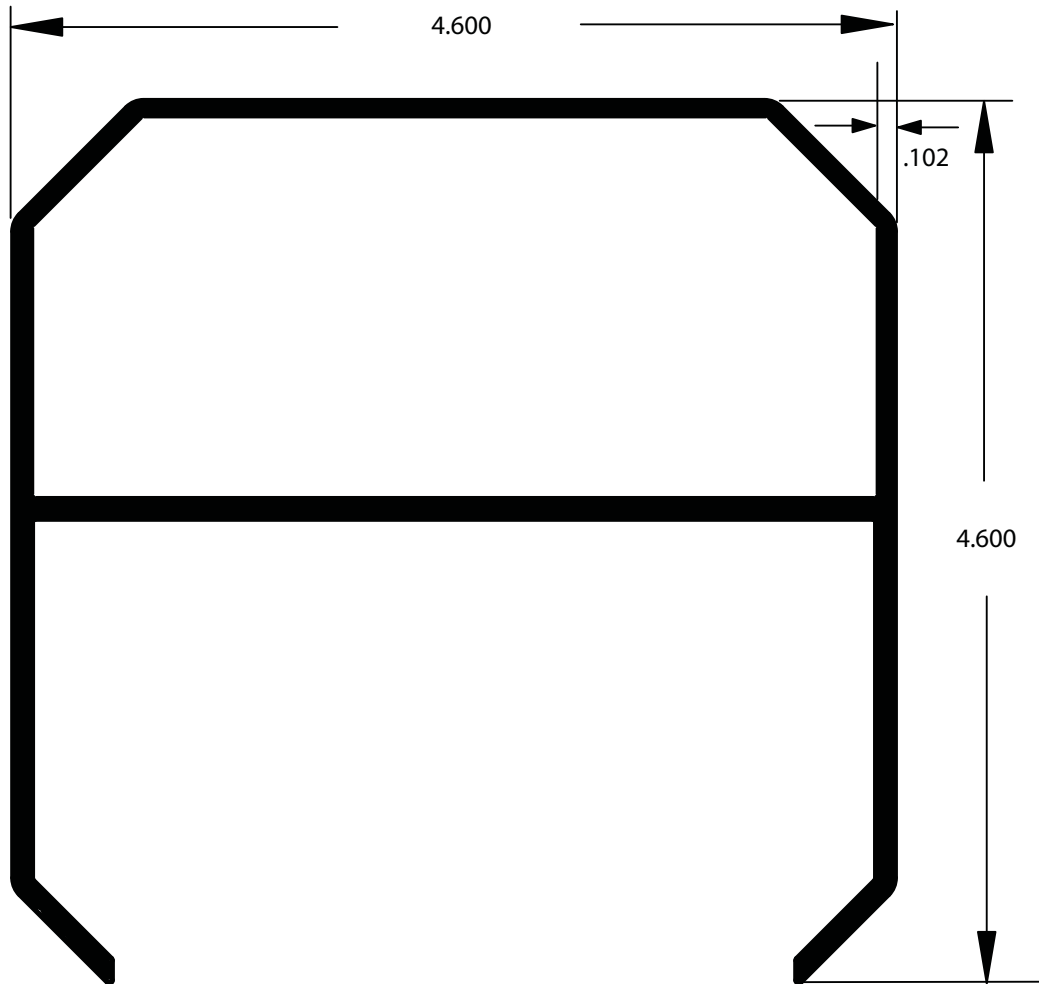
All shapes are shown in actual size.

Standard length is 24' — other lengths may be available. AE Finish.



AA016395 5" Hollow Post Stiffener
wall thickness .110
w/ft. 2.920

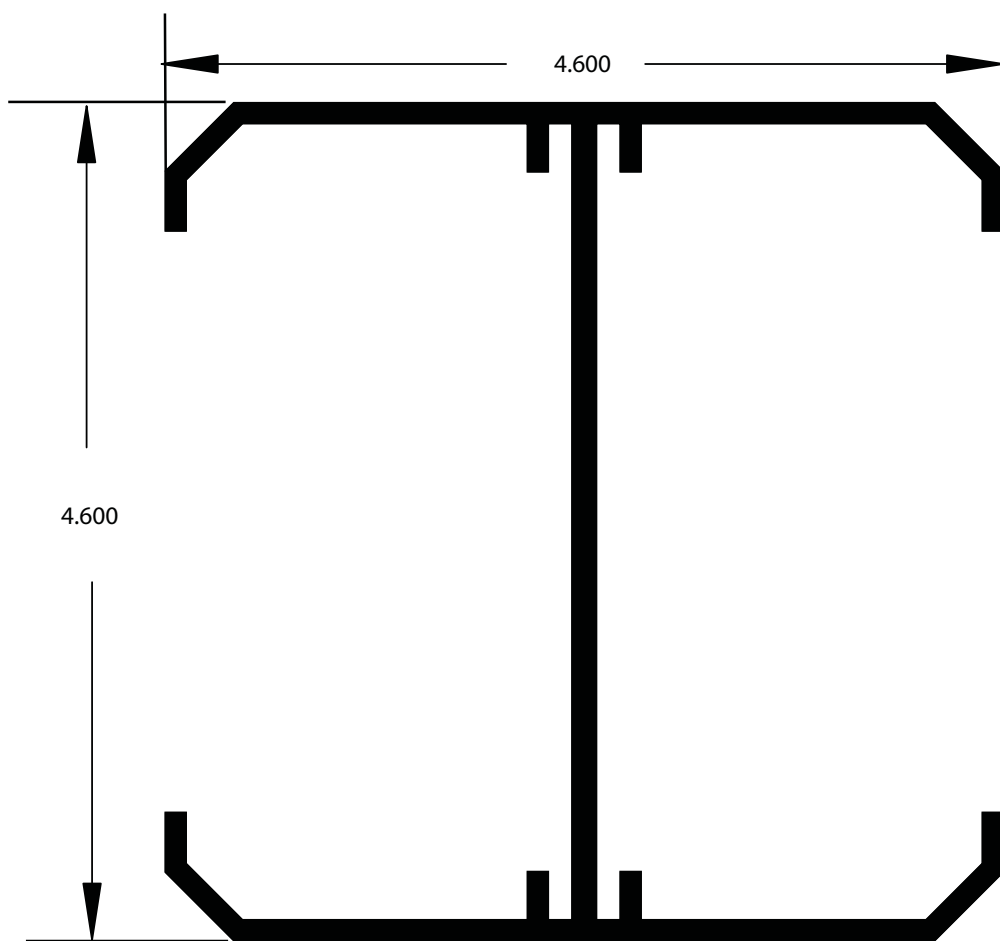
All shapes are shown in actual size.



AA018787 5" A Post Stiffener
wall thickness .102
w/ft. 2.148

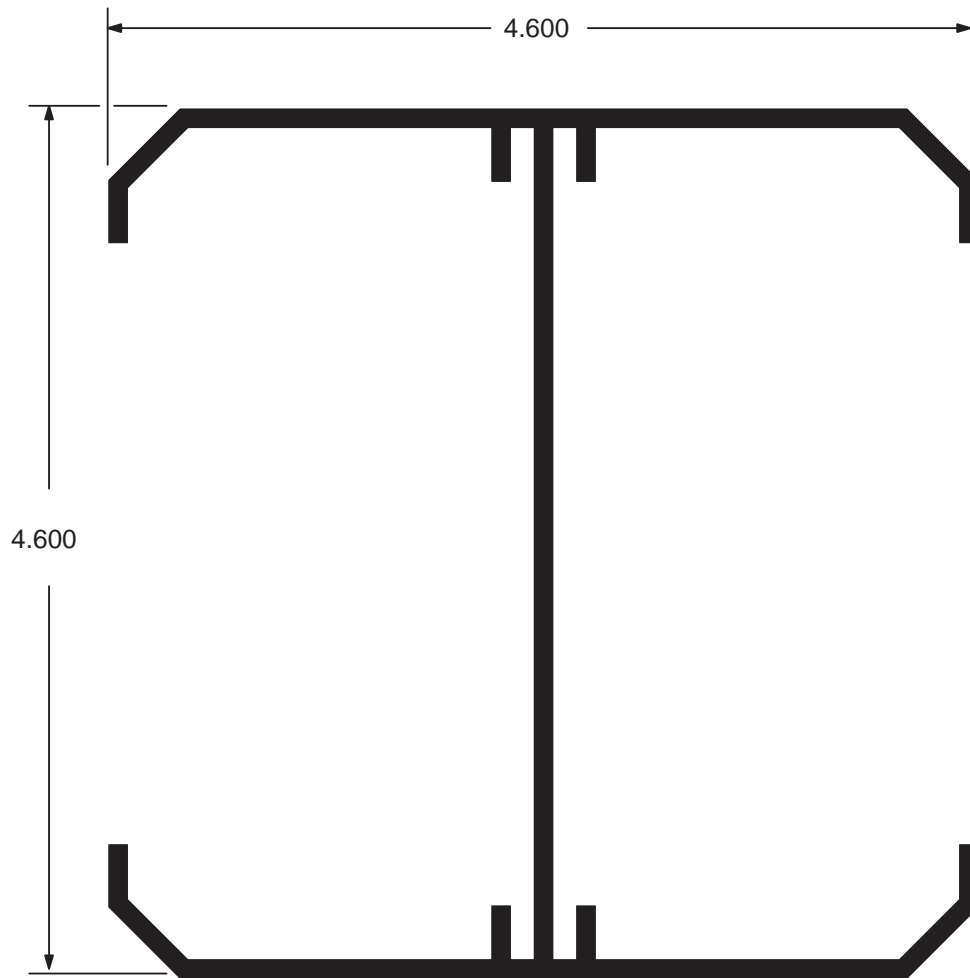
All shapes are shown in actual size.

Standard length is 24' — other lengths may be available. AE Finish.



AA019055 5" Post Stiffener
wall thickness .110
w/ft. 2.243

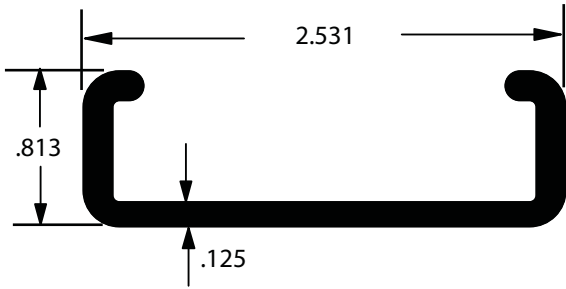
All shapes are shown in actual size.



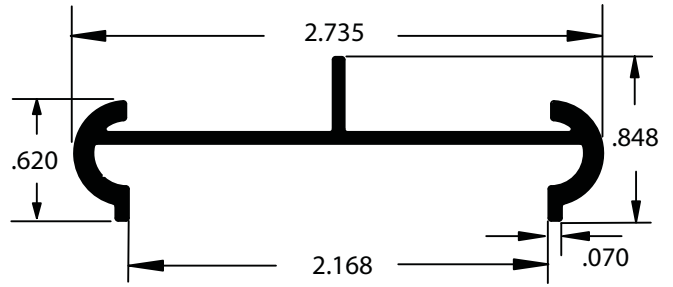
AA020619 5" Post Stiffener - Light Weight
wall thickness .090
w/ft. 1.769

All shapes are shown in actual size.

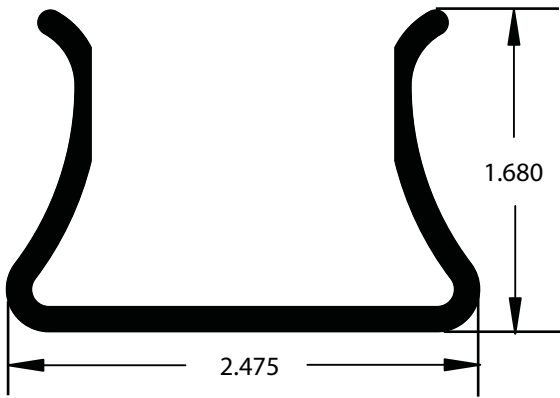
Standard length is 24' — other lengths may be available. AE Finish.



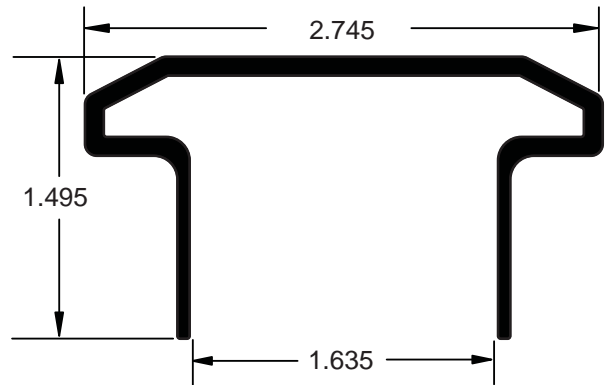
AA019486 Top Rail Stiffener
w/ft. .646



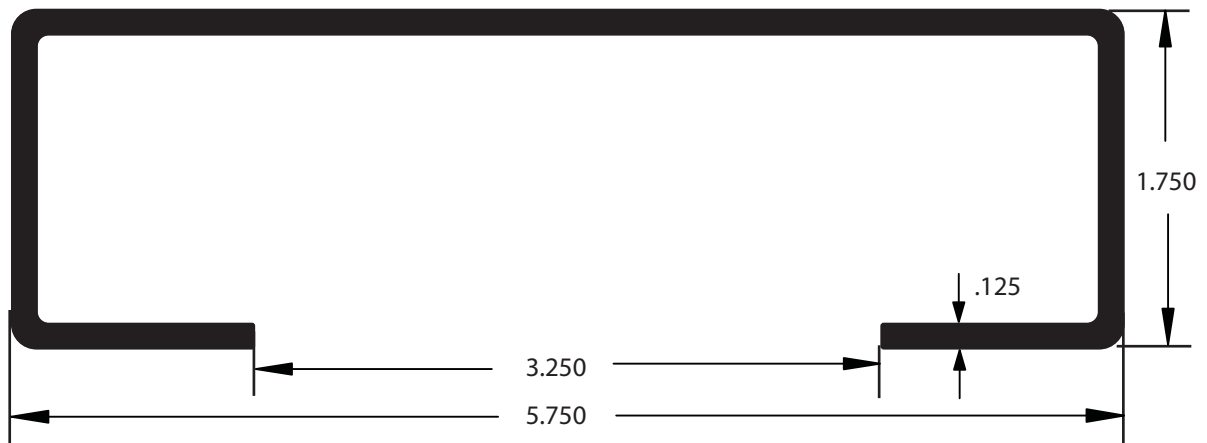
OA099053 Top Rail Support
w/ft. .397



AA018151 Sculptured Channel
w/ft. .814

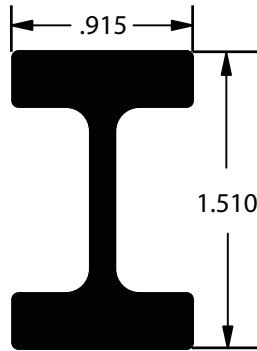


AA020530 Top Rail Stiffener
w/ft. .654

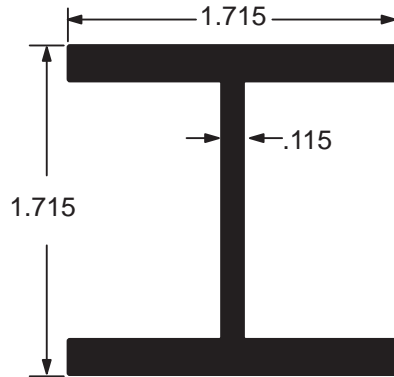


AA020151 Top Rail Stiffener
w/ft. 1.675

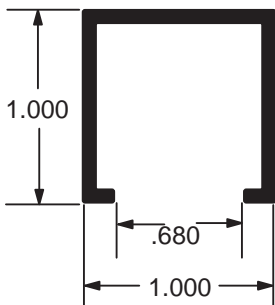
All shapes are shown in actual size.



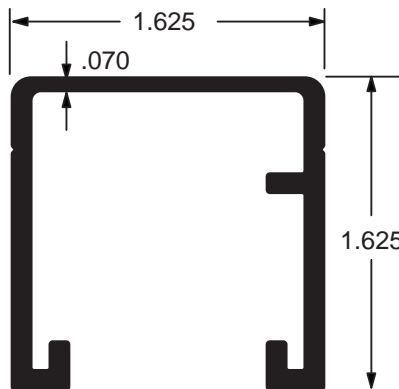
AA018147 I Beam
w/ft. .772



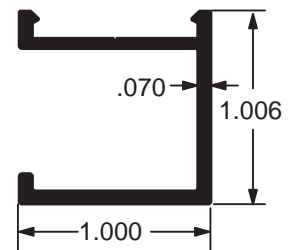
AA019864 I Beam
w/ft. 1.136



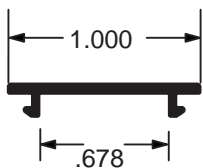
AA020379 Horizontal Picket Rail
w/ft. .239



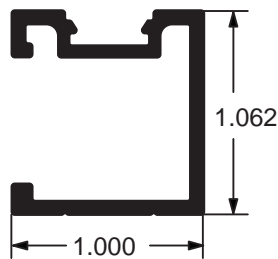
AA019697 Channel
w/ft. .612



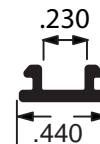
AA020064 Rail
(mates with AA020065)
w/ft. .245



AA020065 Insert
(mates with AA020064)
w/ft. .073



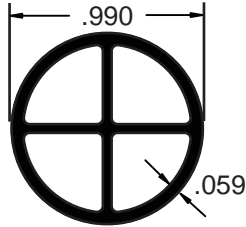
AA019855 Rail
(mates with AA019854)
w/ft. .295



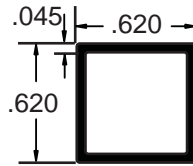
AA019854 Insert
(mates with AA019855)
w/ft. .042

All shapes are shown in actual size.

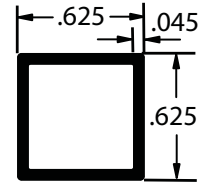
Standard length is 24' — other lengths may be available. AE Finish.



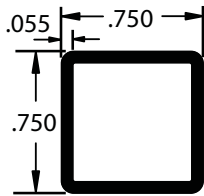
AA020688 Quad Pole
 used for pool barrier fencing
 w/ft. .302



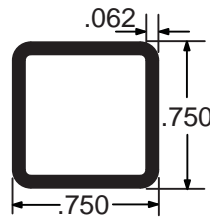
AA020078 Square Tube
 w/ft. .121



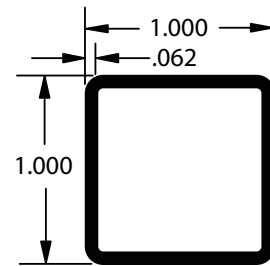
AA018650 Square Tube
 w/ft. .125



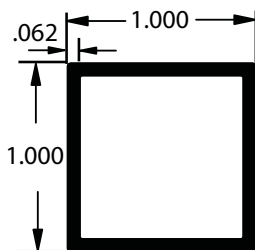
AA018802 Square Tube
 w/ft. .180



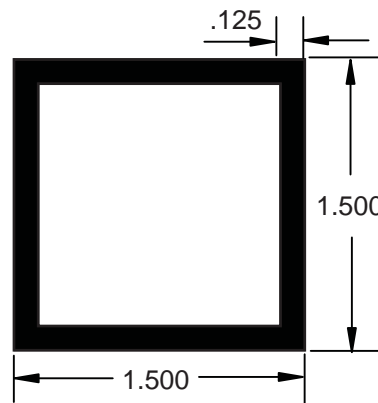
AA008771 Square Tube
 w/ft. .193



AA009215 Square Tube
 w/ft. .271

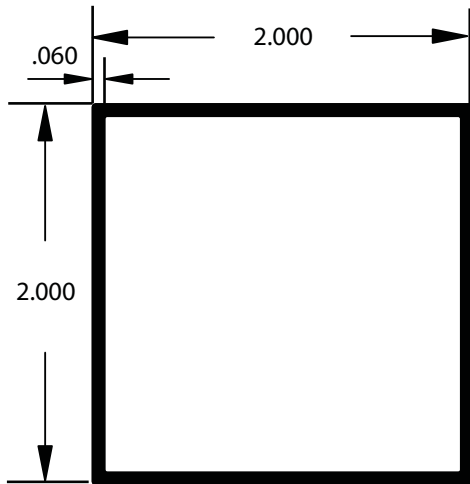


AA008148 Square Tube
 w/ft. .280

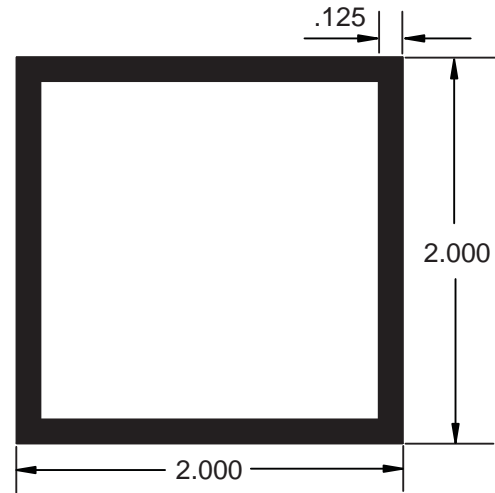


AA008222 Square Tube
 w/ft. .826

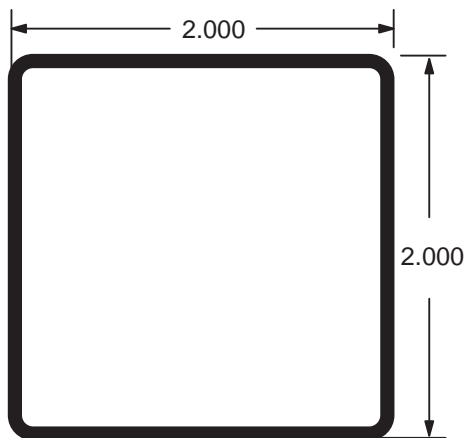
All shapes are shown in actual size.



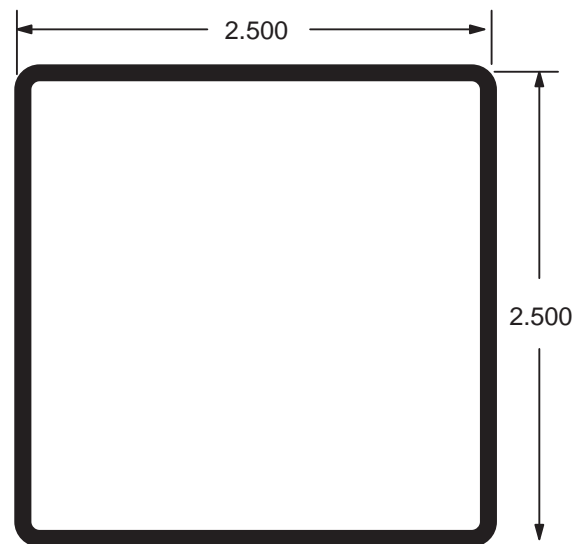
AA011498 Square Tube
w/ft. .559



AA008123 Square Tube
w/ft. 1.126



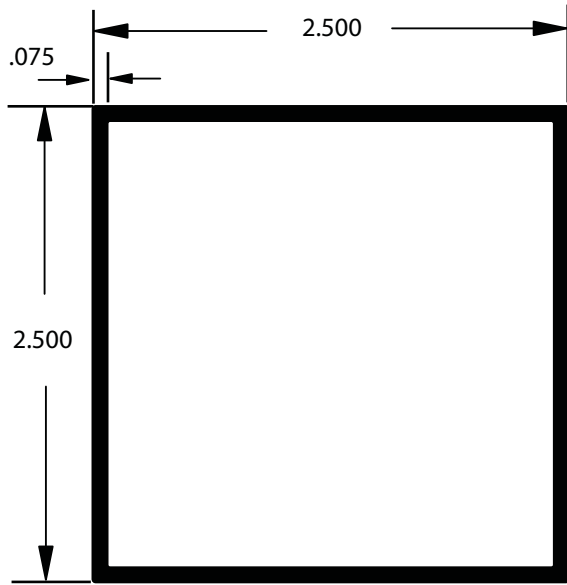
AA019979 Post
w/ft. .547



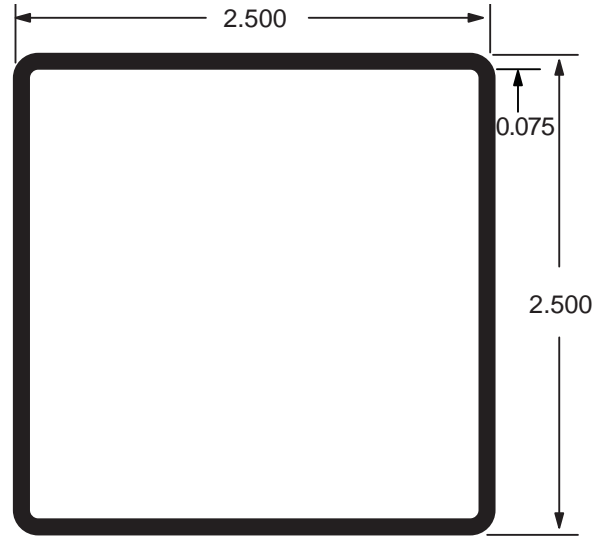
AA019978 Post
w/ft. .804

All shapes are shown in actual size.

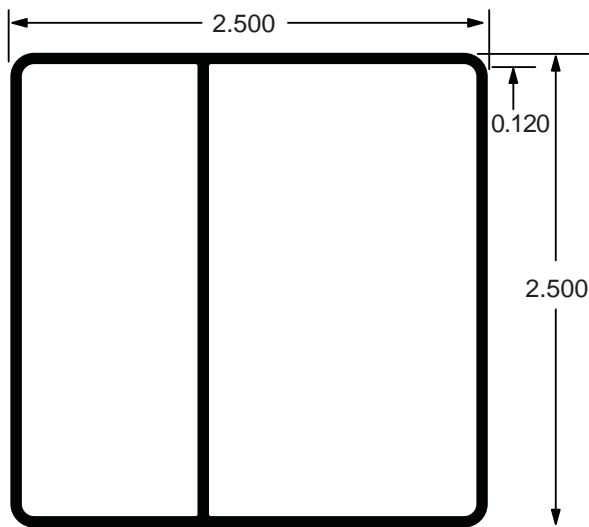
Standard length is 24' — other lengths may be available. AE Finish.



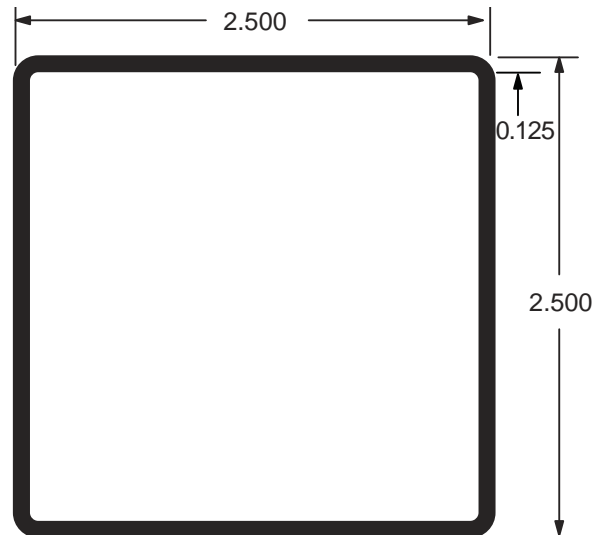
AA018822 Square Tube
w/ft. .874



AA020076 Post
w/ft. .859

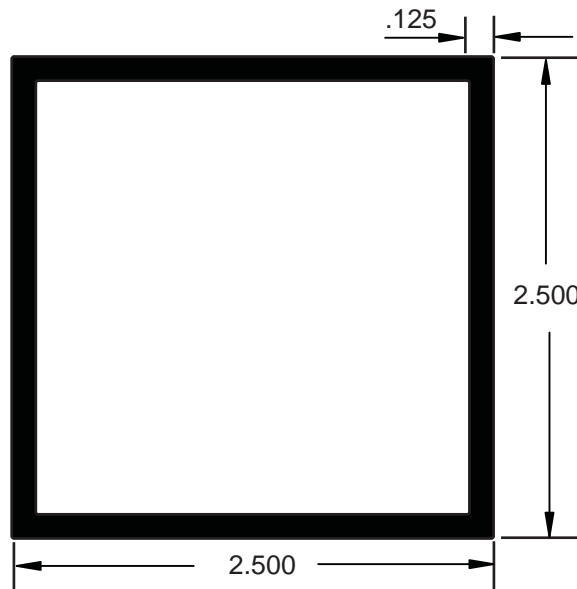


AA019865 Post with Divider
w/ft. .863

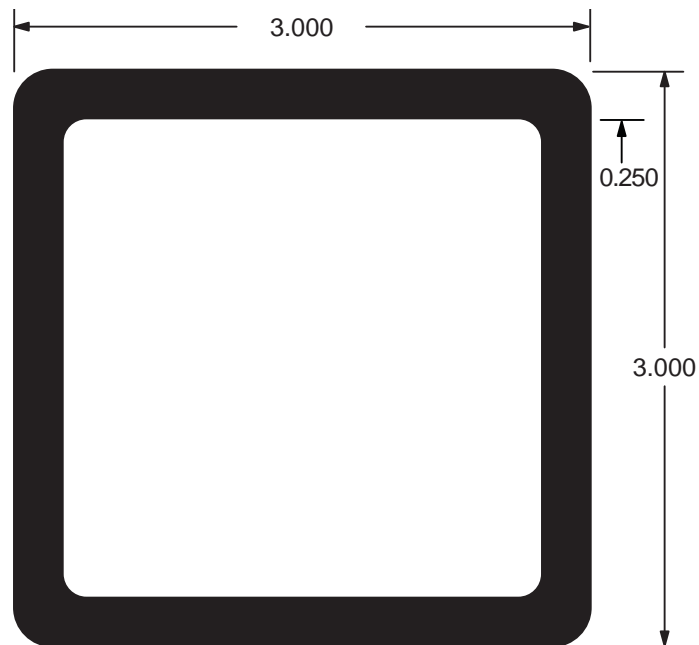


AA019976 Square Tube
w/ft. 1.400

All shapes are shown in actual size.



AA019090 Square Tube
w/ft. 1.426



AA019975 Square Tube
w/ft. 3.275

All shapes are shown in actual size.

Standard length is 24' — other lengths may be available. AE Finish.

Terms & Conditions

1. CONTRACT BETWEEN BUYER AND SELLER: A written order and acknowledgment shall constitute the contract between Buyer and Seller, and said Contract may not be amended or rescinded except by written agreement by both parties, referring expressly to this contract.

2. WARRANTY: Seller warrants that merchandise sold to Buyer shall be free from defects in material and workmanship and shall conform to specifications. **EXCEPT FOR SUCH WARRANTY, THE SELLER DISCLAIMS ANY AND ALL OTHER WARRANTIES OF ANY KIND WHATSOEVER, INCLUDING WITHOUT LIMITATION, ANY WARRANTY OF MERCHANTABILITY OR FITNESS FOR PARTICULAR PURPOSE AND INCLUDING BUT NOT LIMITED TO ANY ORAL OR WRITTEN DESCRIPTION OF THE PRODUCTS, THEIR CHARACTERISTICS OR PROPERTIES OTHER THAN THAT SPECIFICALLY STATED IN THE FOREGOING LIMITED WARRANTY. SELLER SHALL HAVE NO LIABILITY FOR CONSEQUENTIAL OR INCIDENTAL DAMAGES AS A RESULT OF THE SALE OF ITS MERCHANDISE.** In the event that its merchandise is not as warranted, Buyer's sole remedy will be, at Seller's election, replacement of the merchandise or return of the purchase price. Prior written approval from the Seller must be secured before returning any merchandise for credit.

3. TOLERANCES: Standard Commercial tolerances apply unless otherwise specified.

4. PRICE: Prices are based on existing conditions and are subject to change, at our discretion, at any time prior to order shipment. Unless otherwise specified, all prices are based on quantity shipped per release, with Buyer accepting over-run or under-run on each individual item based on standard shipping tolerances. Exact control of quantity shipped must be specified as a requirement of said contract.

5. CREDIT: All shipments shall be subject to the approval of Seller's Credit Department. If, in the sole judgment of the Seller, the financial responsibility of the Buyer is unsatisfactory, or becomes impaired, or if Buyer fails to make any payment in accordance with the terms of the contract, then Seller may defer or decline to make any shipments except upon receipt of satisfactory security or cash payments in advance, or Seller may terminate the contract.

6. TAXES: All prices are subject to the net additions of all Federal, State, or Municipal taxes or charges which may be established or levied upon or assessed against the merchandise under contract.

7. SHIPMENTS: Unless otherwise specified, title to all merchandise, and the risk of loss, shall pass to the Buyer upon delivery by the Seller to the transportation carrier at the shipping point or the actual transfer of possession to the Buyer, whichever is earlier.

8. DELAYS: Seller cannot be held liable for loss or damage arising from delay in fulfilling or failure to fulfill any accepted order in accordance with its terms where such delay or failure is caused by shortage of materials, delays of carriers, embargoes, fires, floods, strikes, riots, wars, acts of God, or other causes beyond our control.

9. RETURNED MATERIAL AUTHORIZATION: Seller must be notified within 10 days after delivery of Buyer's request to return merchandise. Upon receipt of Seller's authorization, merchandise must be returned within 30 days in accordance with Seller's shipping instructions. Merchandise must be returned in exactly the same condition as in which it was received by Buyer. Handling and restocking fees will be charged to Buyer's account.

10. CANCELLATION: Said contract is subject to cancellation only upon Seller's acceptance of such cancellation in writing and the effective date of cancellation shall be the date of such acceptance. Payment of cancellation charges shall be made by Buyer upon receipt of statement of same. Cancellation charges shall not exceed the purchase price of the canceled portion of the contract.

11. EQUIPMENT: Any equipment (including jigs, process dies and tools, etc.) which Seller constructs or acquires specifically for use on Buyer's order shall be the sole property of Seller, whether or not they are charged to Buyer's account. Die charges are for exclusive use of extrusion tooling and are not subject to refund. Dies which indicate no activity for two years or more will be scrapped without notice and replacement cost will be for Buyer's account.

12. PATENT PROTECTION: Seller agrees to indemnify Buyer against any claims or liabilities for or by reason of alleged patent infringement arising from the manufacture or sale of any merchandise furnished Buyer hereunder, except where the specifications, process, design or method of manufacture originated with Buyer, in which event Buyer agrees to indemnify Seller in like manner.

THE *Loxcreen* COMPANY, INC.

Contact our Service Center near you for more information on LOXCREEN Products.

Corporate Office

1630 Old Dunbar Road / PO Box 4004 (29171) / West Columbia, South Carolina 29172
(803) 822-8200 / FAX (803) 822-8547
www.loxcreen.com

Loxcreen METALSOURCE®

TEXAS

400 N. Great SW Parkway / Arlington, Texas 76011 / Metro 640-4456
All other areas (817) 649-2771 / FAX (817) 649-1760 / 800-222-4629

MISSOURI

PO Box 528 / 800 South Pemiscot Street / Hayti, MO 63851 / (573) 359-2811 /
FAX (573)359-2814 / 800-323-8314

OHIO

100 Westheimer Drive / Middletown, Ohio 45044 / (513) 539-2255 / FAX (513) 539-2288
800-432-4672

SOUTH CAROLINA

PO Box 4004 / West Columbia, SC 29171-4004 / 1630 Old Dunbar Road / West Columbia, SC 29172
(803) 822-1600 / FAX (803) 822-8070 / 800-845-0840
Customer Service location
800-682-9586 / FAX (336) 597-8821

SOME ITEMS MAY NOT BE CARRIED IN STOCK.
PRICES ARE AVAILABLE UPON REQUEST.